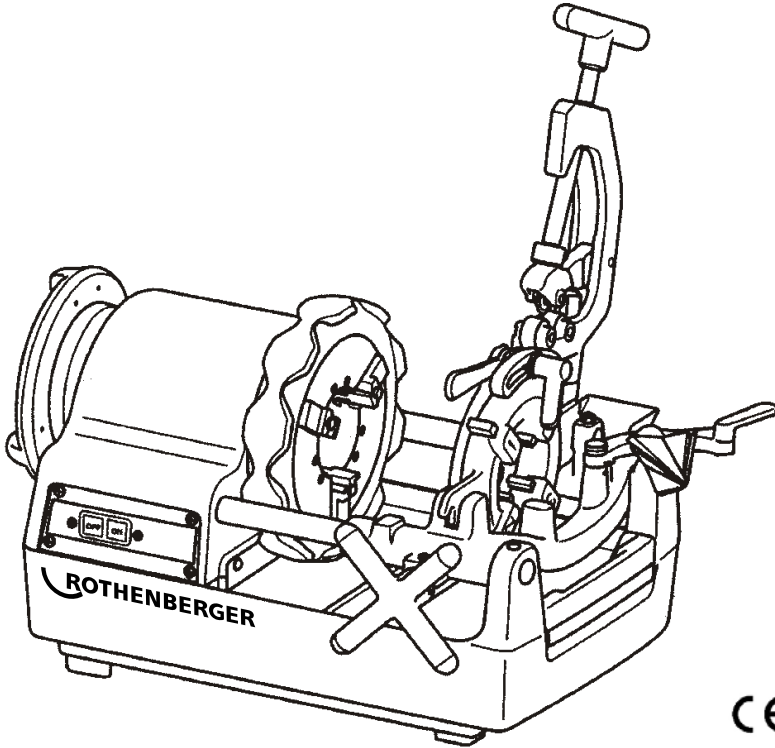


ROTHENBERGER

SUPERTRONIC 2SE / 3SE / 4SE

Ersatzteile
Spare Parts

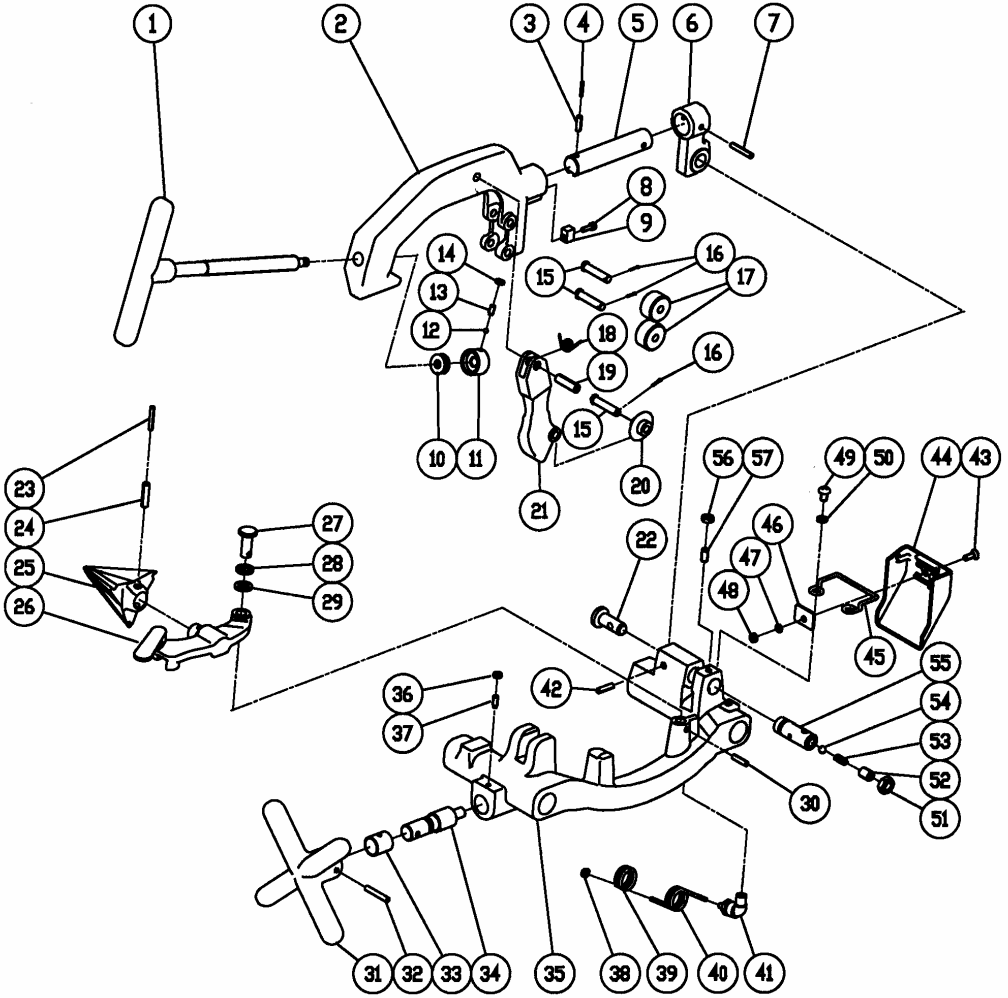


www.cscindustrial.com
Ph: 1-866-496-7268
Fax: 1-915-760-4832
5970 Silver Springs Dr.
El Paso, TX 79912

SUPERTRONIC 2 SE

Stand / dated: 05/04

Rohrabschneider, Arbeitsschlitten, Entgrater / Pipe Cutter, Carriage and Reamer



www.cscindustrial.com
Ph: 1-866-496-7268
Fax: 1-915-760-4832
5970 Silver Springs Dr.
El Paso, TX 79912

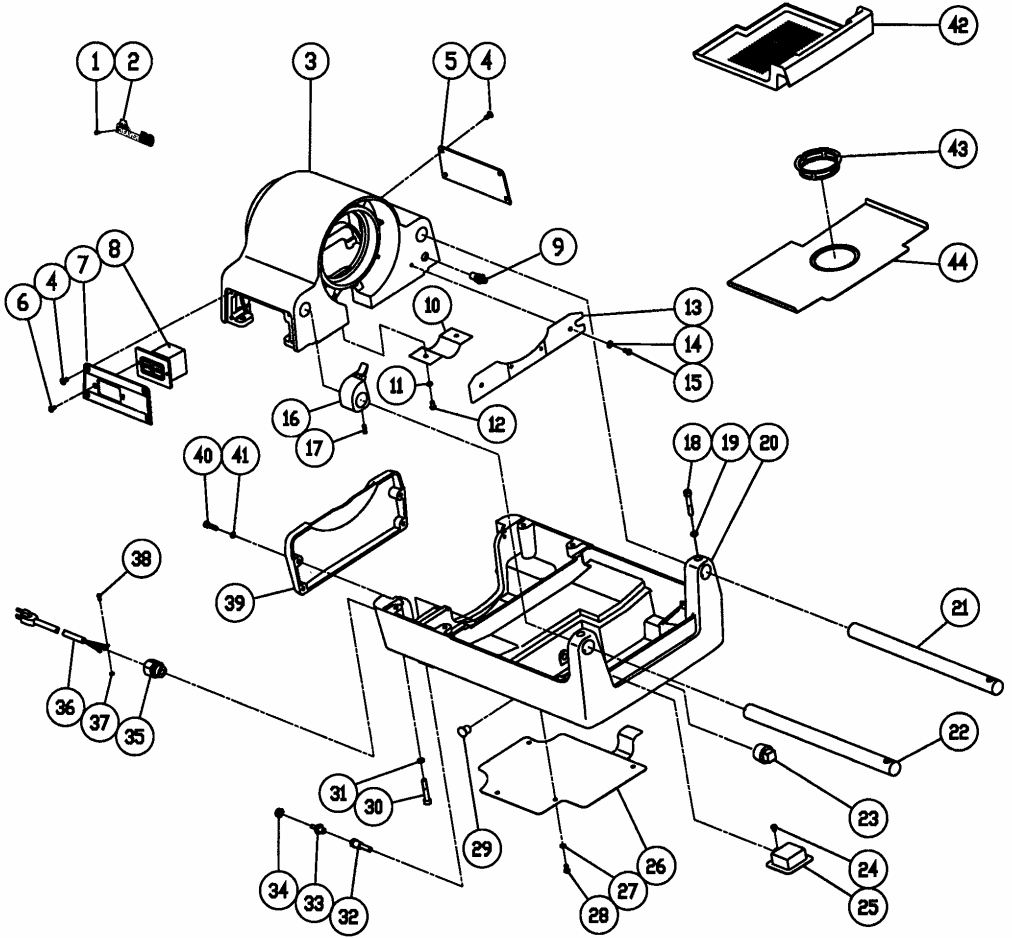
Pipe Cutter, Carriage and Reamer

Nr. / No.	Bezeichnung	Description	Menge /QTY.	Art.-Nr / No.
set	Rohrabschneider kpl. (1-22,42)	Pipe Cutter Assembly (1-22,42)	1	8.1724
1	Handrad mit Spindel	Cutter Handle Complete	1	8.1725
2	Rohrabschneiderkörper	Cutter Body	1	8.1609
3	Spannstift D=6x20	Spring Pin D=6x20L	1	8.4191
4	Spannstift D=3,5x20	Spring Pin D=3,5x20L	1	8.1607
5	Bolzen, Rohrabschneider	Cutter Guide Bar	1	8.1610
6	Halter, Rohrabschneider	Cutter Bracket	1	8.1611
7	Spannstift D=6x36	Spring Pin D=6x36L	1	8.5778
8	Inbusschraube M5x15	Hex Socket Bolt M5x15L	1	8.5862
9	Führungsklotz	Cutter Key	1	8.5861
10	Drucklager 51100	Thrust Bearing 51100	1	8.8067
11	Druckhülse	Feed Screw Head	1	8.3396
12	Stahlkugel 3/16"	Steel Ball 3/16	1	8.3485
13	Stiftschraube M6x12	Hex Socket Set Bolt M6x12L	1	8.3510
14	Sechskantmutter M6	Hex Nut M6	1	8.4169
15	Gleitbolzen, Schneidrad / Druckrollen	Cutter Blade Set Pin	3	8.3308
16	Splint D=2x15	Split Pin D=2x15L	3	8.3754
17	Druckrollen	Cutter Roller	2	8.3156
18	Schenkelfeder	Bracket Spring	1	8.3752
19	Spannstift D=10x36	Spring pin D=10x36L	1	8.5757
20	Schneidrad Spezial Stahl	Cutter Blade NO3	1	7.0074
21	Schneidradhalter	Cutter Blade Holder	1	8.5794
22	Bolzen, Rohrabschneider	Cutter Pin	1	8.1618
set	Entgrater kpl. (23-30)	Reamer Assembly (23-30)	1	8.1727
23	Spannstift D=5x32	Spring Pin D=5x32L	1	8.1619
24	Spannstift D=8x32	Spring Pin D=8x32L	1	8.5791
25	Entgraterkopf	Reamer Blade	1	5.6198
26	Entgraterarm	Reamer Holder	1	8.1728
27	Befestigungsbolzen, Entgrater	Holder Pin	1	8.5788
28	Federring 12	Spring Washer M12	1	8.5789
29	U-Scheibe 12	Plain Washer S M12	1	8.5790
30	Spannstift D=6x24	Spring Pin D=6x24L	1	8.6876
set	Handrad kpl. (31-34)	Rack Handle Complete (31-34)	1	8.1630
31	Handrad	Rack Handle	1	8.1631
32	Spannstift D=6x40	Spring Pin D=6x40L	1	8.5916
33	Hülse	Pinion Metal	1	8.5875
34	Zahnwelle	Rack Pinion	1	8.4121
35	Arbeitsschlitzen	Carrige	1	8.1635
36	Sechskantmutter M6	Hex Nut M6	1	8.4169
37	Stiftschraube M6x22	Hex Socket Set Bolt M6x22L	1	8.6871
38	Federstopper	Binding Band	1	8.3846
39	Schutzfeder	Protect Spring	1	8.1639
40	Ölschlauch NL06-10	Urethane Coiling Tube NL06-10	1	8.1640
41	Winkelstück L4N6x4-PT1/4	Elbow L4N6x4-PT1/4	1	8.1641
42	Spannstift D=8x32	Spring Pin D=8x32L	1	8.5791
43	Schraube M6x15	Flat Head Screw M6x15L(Parker)	1	8.1642
44	Spritzschutz	Splashpoof Plate	1	8.1644
45	Spritzschutzhalter	Splashpoof Plate Holder	1	8.1645
46	U-Platte	Holder Plate	1	8.6899
47	Federring 6	Spring Washer CM6	1	8.1621
48	Sechskantmutter 6	Hex Nut M6	1	8.4169
49	Schraube M8x12	Pan Head Screw M8x12L	2	8.1624
50	Federring 8	Spring Washer CM8	2	8.1625
51	Sechskantmutter M12	Hex Nut M12	1	8.1032
52	Öl- Einstellschraube	Oil Adjust Screw	1	8.6783
53	Feder, Öleinstellung	Oil Adjust Spring	1	8.3327
54	Stahlkugel 5/16"	Steel Ball 5/16	1	8.5805
55	Haltebolzen, Schneidkopf	Die Head Set Pin	1	8.5886
56	Sechskantmutter M8	Hex Nut M8	1	8.3789
57	Stiftschraube M8x15	Hex Socket Set Bolt M8x15L	1	8.6875

SUPERTRONIC 2 SE

Stand / dated: 05/04

Gehäuse / Frame, Spindle Case



www.cscindustrial.com
Ph: 1-866-496-7268
Fax: 1-915-760-4832
5970 Silver Springs Dr.
El Paso, TX 79912

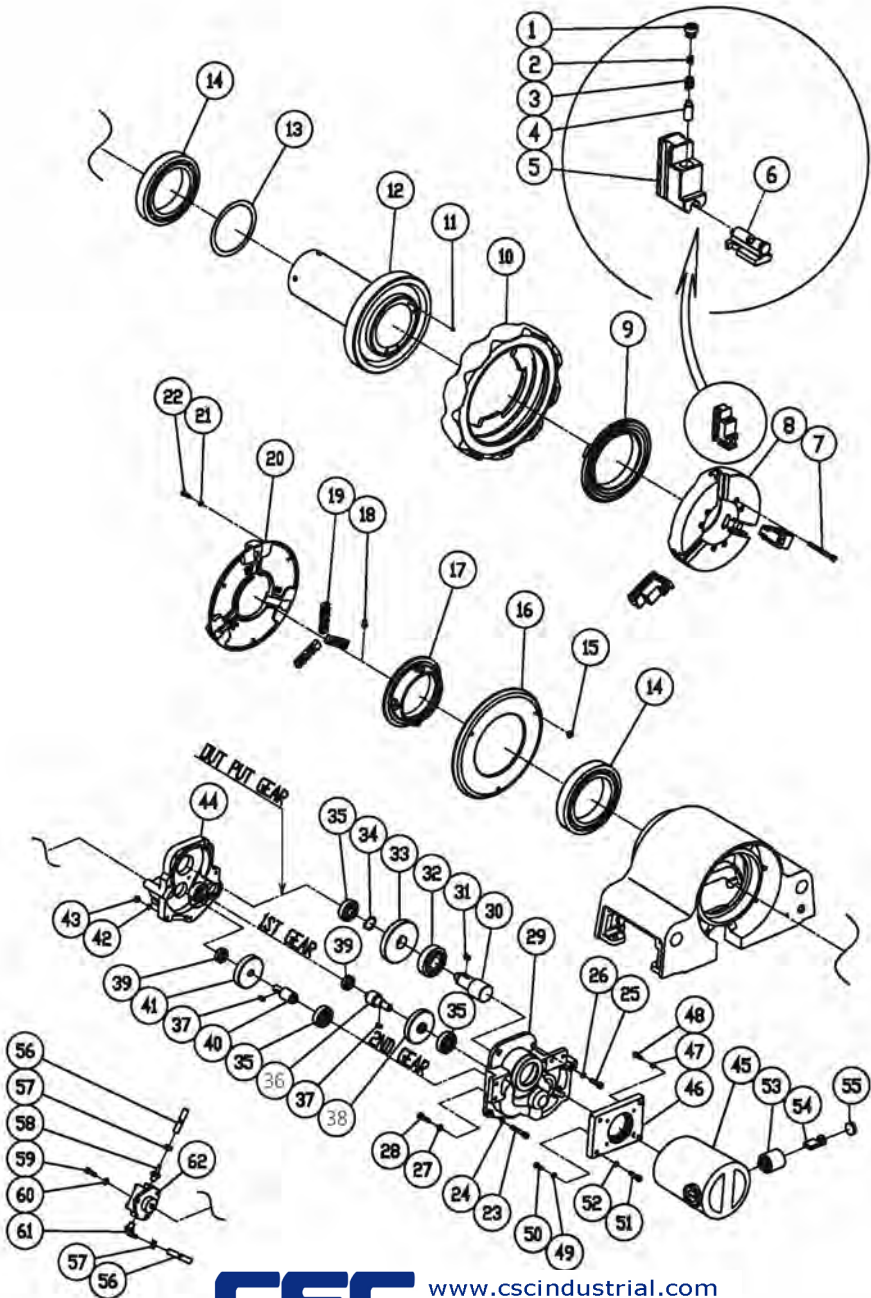
Gehäuse / Frame, Spindle Case

Nr./ No.	Bezeichnung	Description	Menge / QTY	Art.Nr. / No
1	Schraube M2,5x8	Flat Head Tapping Screw M2,5x8L	2	8.1628
2	Namensschild	Name Plate	1	8.1629
3	Spindelgehäuse	Spindle Case	1	8.1632
4	Schraube M6x10	Flat Head Screw M6x10L	8	8.1633
5	Typenschild	Machine Plate	1	8.1636
6	Schraube M3x6	Flat Head Screw M3x6L	2	8.1634
7	Schalterplatte	Switch Plate	1	8.1637
8	Schalter BEH2302	Switch BEH2302	1	8.1638
9	Schraubnippel C4N6x4-PT1/4	Connector C4N6x4-PT1/4	1	8.1643
10	Abdeckblech	Gear Cover	1	8.1647
11	Federring 6	Spring Washer CM6	2	8.1621
12	Schraube M6x12	Pan Head Screw M6x12L	2	8.1648
13	Schutzblech	Oil Cover	1	8.1651
14	Federring 6	Spring Washer CM6	4	8.1621
15	Schraube M6x12	Pan Head Screw M6x12L	4	8.1648
16	Anschlag	Outer Ring Spacer	1	8.1652
17	Schraube M6x6	Hex Socket Set Bolt M6x6L	1	8.5932
18	Schraube M8x45	Hex Socket Bolt M8x45L	2	8.5979
19	Federring 8	Spring Washer CM8	2	8.1625
20	Gehäuseunterteil	Frame	1	8.1654
21	Gleitstange, hinten	Guide Bar R	1	8.1655
22	Gleitstange, vorne	Guide Bar F	1	8.1659
23	Ölablassschraube 1/2"	Plug 1/2"	1	8.3228
24	Schraube M6x12	Pan Head Screw M6x12L	1	8.1648
25	Ölfiter	Filter	1	8.4188
26	Bodenplatte	Frame Under Cover	1	8.1662
27	Federring 6	Spring Washer CM6	4	8.1621
28	Schraube M6x10	Hexagon Head Bolt M6x10L	4	8.1663
29	Blindstopfen DP-562	Hole Cap DP-562	2	8.1664
30	Schraube M8x50	Hex Socket Bolt M8x50L	4	8.1665
31	Federring 8	Spring Washer CM8	4	8.1625
32	Ansaugnippel	Suction Pipe	1	8.1666
33	Schraubnippel GES8xPT1/4	Connector GES8xPT1/4	1	8.1658
34	Schlauchklemme D=12	Hose Clamp D=12	1	8.1657
35	Kabelverschraubung	Cord Connector OA-W1611	1	8.6902
36	Netzkabel 100V-120V	Power Cord 100V-120V	1	8.1667
37	Zahnscheibe 6	Tooth Look Washer M6	1	8.1668
38	Schraube M6x8	Pan Head Screw M6x8L	1	8.1669
39	Motorabdeckung	Pump Cover	1	8.1670
40	Schraube M6x20	Hex Socket Bolt M6x20L	4	8.3782
41	Federring 6	Spring Washer CM6	4	8.1621
42	Spänwanne	Chip Pan	1	8.1671
43	Ölsieb	Strainer	1	8.3364
44	Ölwannendeckel	Oil Tank Lid	1	8.1672



www.cscindustrial.com
 Ph: 1-866-496-7268
 Fax: 1-915-760-4832
 5970 Silver Springs Dr.
 El Paso, TX 79912

Spannfutter, Arbeitsspindel / Hammer chuck, Scroll and Gears



www.cscindustrial.com
Ph: 1-866-496-7268
Fax: 1-915-760-4832
5970 Silver Springs Dr.
El Paso, TX 79912

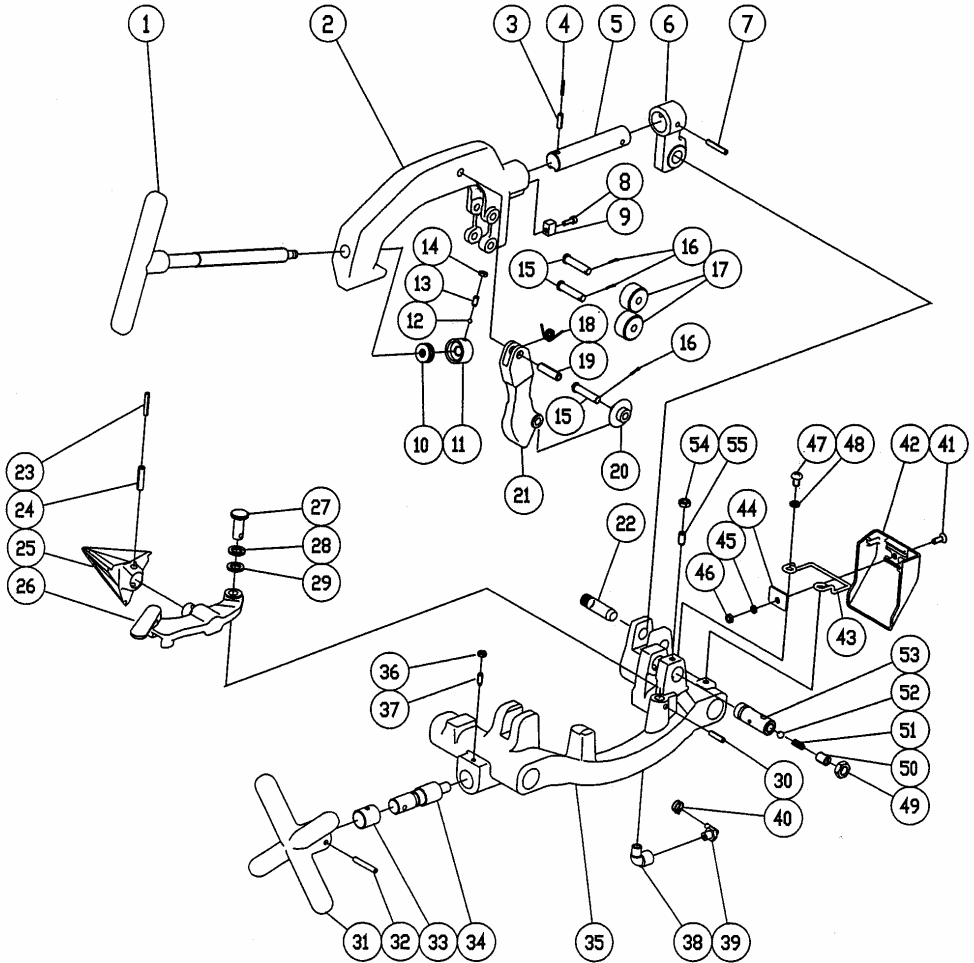
Spannfutter, Arbeitsspindel / Hammer chuck, Scroll and Gears

Nr./ No.	Bezeichnung	Description	Menge / QTY	Art.Nr. / No
set	Schnellspannfutter kpl. (1-10)	Hammer Chuck Complete (1-10)	1	8.1600
set	Spannbackensatz (1-6) (3 Stück)	JAW Set Assembly (1-6)	1set	8.1719
set	Spannbackeneinsatz (2-4,6) (3 Stück)	Jaw Insert Set (2-4,6)	1set	5.6176
1	Spannbackenschraube	Hammer Chuck Bolt	3	8.1601
2	Spannbackenfeder B	Hammer Chuck Spring B	3	8.1602
3	Spannbackenfeder A	Hammer Chuck Spring A	3	8.1603
4	Spannbackenstift	Hammer Chuck Pin	3	8.1604
5	Spannbackengrundkörper (3 Stück)	Hammer Chuck Jaw Assembly	1set	8.1605
6	Spannbackeneinsatz (3 Stück)	Jaw Insert Complete	1set	8.1720
7	Schraube M6x70	Hex Socket Bolt M6x55L	6	8.8469
8	Spannfuttergrundkörper	Hammer Chuck Body	1	8.1608
9	Schneckenring, vorne	Hammer Chuck Scroll	1	8.3701
10	Schlagring	Hammer Chuck Outer Ring	1	8.5827
11	Druckfeder	Pre-Load Spring	6	8.5823
12	Arbeitsspindel kpl.	Spindle Gear Complete	1	8.1612
13	Druckring	Thrust Plate	1	8.5821
14	Kugellager 6015 2RS	Ball Bearing 6015 2RS	2	8.1614
set	Zentrierfutter kpl. (15-22)	Scroll Assembly (15-22)	1	8.1722
15	Sechskantmutter M6	Hex Nut M6	3	8.4169
16	Zentrierfutterdeckel, innen	Scroll Cap	1	8.1616
17	Schneckenring, Zentrierfutter	Scroll	1	8.1617
18	Schraube, Zentrierfutter	Scroll Stop Bolt	4	8.6929
19	Zentrierbacken (3 Stück)	Scroll Jaw Set	1set	8.3703
20	Zentrierfutterdeckel, aussen	Scroll Body	1	8.1723
21	Federring 6	Spring Washer CM6	3	8.1621
22	Schraube M6x18	Pan Head Screw M6x16L	3	8.1622
set	Getriebe kpl.	Drive Complete	1set	8.1620
23	Schraube M6x40	Hex Socket Bolt M6x40L	1	8.1623
24	Federring 6	Spring Washer CM6	1	8.1621
25	Schraube M6x25	Hex Socket Bolt M6x25L	5	8.1703
26	Federring 6	Spring Washer CM6	5	8.1621
27	Federring 6	Spring Washer CM6	4	8.1621
28	Schraube M6x25	Hex Socket Bolt M6x25L	4	8.1703
29	Getriebedeckel, vorne	Gear Box	1	8.1760
30	Getriebewelle	Output Shaft Pinion	1	8.1761
31	Passfeder 6x6x13	Key 6x6x13	1	8.3344
32	Kugellager 6304 ZZ	Ball Bearing 6304ZZ	1	8.1762
33	Zahnrad	Output Shaft Reduction Gear	1	8.1763
34	Sicherungsring 20	C Snap Ring 5-20	1	8.1764
35	Kugellager 6201 ZZ	Ball Bearing 6201ZZ	3	8.5902
36	Getriebewelle	1st Shaft Pinion	1	8.1765
37	Passfeder 5x5x13	Key 5x5x13	2	8.3189
38	Zahnrad	1st Shaft Reduction Gear	1	8.1767
39	Kugellager 6301 ZZ	Ball Bearing 6301ZZ	2	8.6950
40	Zahnrad	2nd Shaft Reduction Gear	1	8.1709
41	Getriebewelle	2nd Shaft Pinion	1	8.1710
42	Federring 6	Spring Washer CM6	1	8.1621
43	Mutter M6	U-Nut M6	1	8.1711
44	Getriebedeckel, hinten	Gear Box Cover	1	8.1712
45	Motor 100V	Motor 100V	1	8.1713
45	Motor 110V	Motor 110V	1	8.1714
45	Motor 220V	Motor 220V	1	8.1715
45	Motor 230/240V	Motor 230/240V	1	8.1599
46	Motoradapterplatte	Motor Adapter	1	8.1646
47	Federring 5	Spring Washer M5	2	8.4094
48	Schraube M5x15	Pan Head Screw M5x15L	2	8.5933
49	Federring 4	Spring Washer M4	2	8.1649
50	Schraube M4x15	Pan Head Screw M4x15L	2	8.1650
51	Inbusschraube M6x20	Hex Socket Bolt M6x20L	4	8.3782
52	Federring 6	Spring Washer CM6	4	8.1621
53	Kohlenhalter	Carbon Holder	2	8.3691
54	Kohlenbürste (2 Stück)	Carbon Brush	1set	8.3689
55	Kohlenkappe	Carbon Cap	2	8.3693
56	Ölschlauch WP15	Urethane Hose WP15 In:300mm Out:200mm	2	8.1656
57	Schlauchklemme D=12	Hose Clamp D=12	3	8.1657
58	Schraubnippel	Connector GE58xPT1/4	2	8.1658
59	Inbusschraube M6x18	Hex Socket Bolt M6x18L	3	8.3501
60	Federring 6	Spring Washer CM6	3	8.1621
61	Winkelnippel WES8xPT1/4	Elbow WES8xPT1/4	1	8.1661
62	Ölpumpe Top-12A	Trochoid pump TOP-12A	1	8.1717

SUPERTRONIC 3 SE

Stand / dated: 05/04

Rohrabschneider, Arbeitsschlitten, Entgrater / Pipe Cutter, Carriage and Reamer



www.cscindustrial.com
Ph: 1-866-496-7268
Fax: 1-915-760-4832
5970 Silver Springs Dr.
El Paso, TX 79912

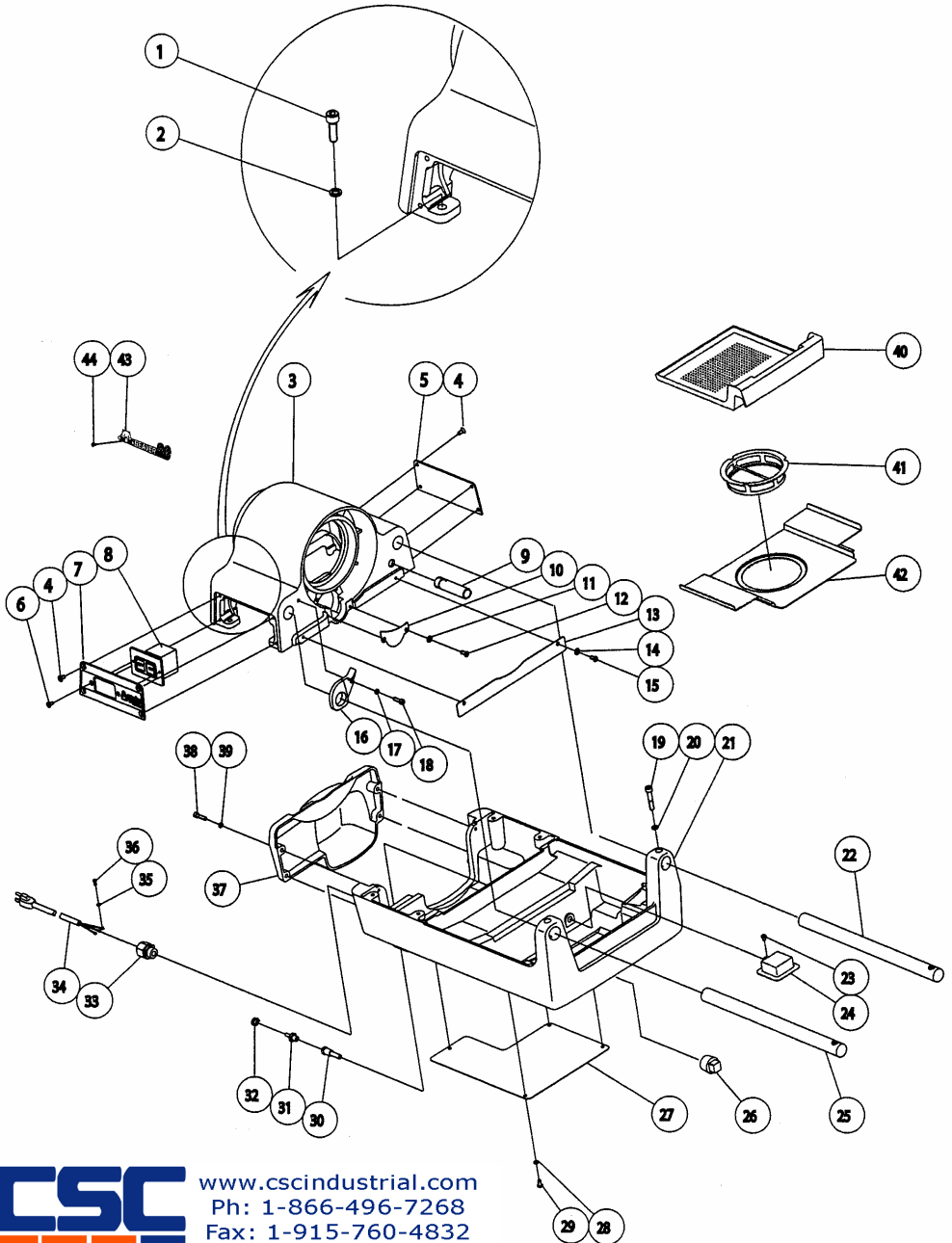
Rohrabschneider, Arbeitsschlitten, Entgrater / Pipe Cutter, Carriage and Reamer

Nr. / No.	Bezeichnung	Description	Menge /QTY.	Art.-Nr / No.
set	Rohrabschneider kpl.	Pipe Cutter Assembly (1-21)	1	8.1729
1	Handrad mit Spindel	Cutter Handle Complete	1	8.1730
2	Rohrabschneiderkörper	Cutter Body	1	8.1702
3	Spannstift D= 6x20L	Spring Pin D=6x20L	1	8.4191
4	Spannstift D= 3,5x20L	Spring Pin D=3.5x20L	1	8.1607
5	Bolzen, Rohrabschneider	Cutter Guide Bar	1	8.1705
6	Halter, Rohrabschneider	Cutter Bracket	1	8.1706
7	Spannstift D=6x36L	Spring Pin D=6x36L	1	8.5778
8	Schraube 5x15	Hex Socket Bolt M5x15L	1	8.5862
9	Führungsklotz, Rohrabschneider	Cutter Key	1	8.5861
10	Drucklager 51100	Thrust Bearing 51100	1	8.8067
11	Druckhülse	Feed Screw Head	1	8.3396
12	Stahlkugel 3/16"	Steel Ball 3/16 "	1	8.3485
13	Stiftschraube M6x12	Hex Socket Set Bolt M6x12L	1	8.3510
14	Sechskantmutter M6	Nex Nut M6	1	8.4169
15	Gleitbolzen, Schneidrad / Druckrollen	Cutter Blade Set Pin	3	8.3308
16	Splint D=2x15L	Split Pin D=2x15L	3	8.3754
17	Druckrollen, Rohrabschneider	Cutter Roller	2	8.3156
18	Schenkelfeder	Bracket Spring	1	8.3752
19	Spannstift D=10x36L	Spring pin D=10x36L	1	8.5757
20	Schneidrad Spezial Stahl	Cutter Blade No3	1	7.0074
21	Schneidradhalter	Cutter Blade Holder	1	8.1707
22	Bolzen, Rohrabschneider	Cutter Pin	1	8.1708
set	Entgrater kpl.	Reamer Assembly (23-25)	1	8.1731
23	Spannstift D=5x32L	Spring Pin D=5x32L	1	8.1619
24	Spannstift D=8x32L	Spring Pin D=8x32L	1	8.5791
25	Entgraterkopf	Reamer Blade	1	5.6199
26	Entgraterarm	Reamer Holder	1	8.1728
27	Befestigungsbolzen, Entgrater	Holder Pin	1	8.5788
28	Federring 12	Spring Washer M12	1	8.5789
29	U-Scheibe 12	Plain Washer S M12	1	8.5790
30	Spannstift D=6x24L	Spring Pin D=6x24L	1	8.6876
set	Handrad kpl. (31-33)	Rack Handle Complete (31-33)	1	8.1630
31	Handrad	Rack Handle	1	8.1631
32	Spannstift D=6x40L	Spring Pin D=6x40L	1	8.5916
33	Hülse	Pinion Metal	1	8.5875
34	Zahnwelle	Rack Pinion	1	8.4121
35	Arbeitsschlitten	Carriage	1	8.1653
36	Sechskantmutter M6	Hex Nut M6	1	8.4169
37	Stiftschraube M6x22L	Hex Socket Set Bolt M6x22L	1	8.6871
38	Winkelstück	Street Elbow	1	8.1673
39	Winkelstück WE8xPT1/4	Elbow WE8xPT1/4	1	8.1661
40	Schlauchklemme D=12	Hose Clamp D=12	1	8.1657
41	Spritzschutz	Splashpooof Plate	1	8.1644
42	Schraube 6x15	Flat Head Screw M6x15L(Parker)	1	8.1642
43	Spritzschutzhalter	Splashpooof Plate Holder	1	8.1645
44	U-Platte	Holder Plate	1	8.6899
45	Federring 6	Spring Washer CM6	1	8.1621
46	Sechskantmutter M6	Hex Nut M6	1	8.4169
47	Schraube M8x12	Pan Head Screw M8x12L	2	8.1624
48	Federring 8	Spring Washer CM8	2	8.1625
49	Sechskantmutter M12	Hex Nut M12	1	8.1032
50	Öel- Einstellschraube	Oil Adjust Screw	1	8.6783
51	Feder, Öleinstellung	Oil Adjust Spring	1	8.3327
52	Stahlkugel 5/16"	Steel Ball 5/16	1	8.5805
53	Haltebolzen, Schneidkopf	Die Head Set Pin	1	8.5886
54	Sechskantmutter M8	Hex Nut M8	1	8.3789
55	Stiftschraube M8x15L	Hex Socket Set Bolt M8x15L	1	8.6875

SUPERTRONIC 3 SE

Stand / dated: 05/04

Gehäuse / Frame, Spindle Case



www.cscindustrial.com
Ph: 1-866-496-7268
Fax: 1-915-760-4832
5970 Silver Springs Dr.
El Paso, TX 79912

Gehäuse / Frame, Spindle Case

Nr./ No.	Bezeichnung	Description	Menge / QTY	Art.Nr. / No
1	Schraube M8x25	Hex Socket Bolt M8x25L	4	8.3738
2	Federring 8	Spring Washer CM8	4	8.1625
3	Spindelgehäuse	Spindle Case	1	8.1674
4	Schraube M6x10	Flat Head Screw M6x10L	8	8.1633
5	Typenschild 220V-240V	Machine Plate 220V-240V	1	8.1675
5	Typenschild 100V-120V	Machine Plate 100V-120V	1	8.1676
6	Schraube 3x6	Flat Head Screw M3x6L	2	8.1634
7	Schalterplatte	Switch Plate	1	8.1677
8	Schalter BEH2302	Switch BEH2302	1	8.1638
9	Schutzschlauch	Hose Protection Pipe	1	8.1678
10	Abdeckblech	Gear Cover	1	8.1679
11	Federring 6	Spring Washer CM6	2	8.1621
12	Schraube 6x12	Pan Head Screw M6x12L	2	8.1648
13	Schutzblech	Oil Cover	1	8.1680
14	Federring 6	Spring Washer CM6	2	8.1621
15	Schraube 6x12	Pan Head Screw M6x12L	2	8.1648
16	Anschlag	Outer Ring Spacer	1	8.1681
17	Federring 6	Spring Washer CM6	1	8.1621
18	Schraube M6x18	Hex Socket Bolt M6x18L	1	8.3501
19	Schraube M8x45	Hex Socket Bolt M8x45L	2	8.5979
20	Federring 8	Spring Washer CM8	2	8.1625
21	Gehäuseunterteil	Frame	1	8.1682
22	Gleitstange hinten	Guide Bar R	1	8.1683
23	Schraube 6x12	Pan Head Screw M6x12L	1	8.1648
24	Ölfiler	Filter	1	8.4188
25	Gleitstange vorne	Guide Bar F	1	8.1684
26	Ölablassschraube	Plug1"	1	8.1685
27	Bodenplatte	Frame Under Cover	1	8.1686
28	Federring 6	Spring Washer CM6	4	8.1621
29	Schraube 6x12	Pan Head Screw M6x12L	4	8.1648
30	Ansaugnippel	Suction Pipe	1	8.1666
31	Schraubnippel GE58xPT1/4	Connector GE58xPT1/4	1	8.1658
32	Schlauchklemme D=12	Hose Clamp D=12	1	8.1657
33	Kabelverschraubung	Cord Connector OA-W1611	1	8.6902
34	Netzkabel 220V-240V	Power Cord 220V-240V	1	8.1687
34	Netzkabel 100V-120V	Power Cord 100V-120V	1	8.1667
35	Zahnscheibe 6	Tooth Look Washer M6	1	8.1668
36	Schraube M6x8	Pan Head Screw M6x8L	1	8.1669
37	Motorabdeckung	Motor Cover	1	8.1688
38	Schraube 6x20	Hex Socket Bolt M6x20L	4	8.3782
39	Federring 6	Spring Washer CM6	4	8.1621
40	Spänwanne	Chip Pan	1	8.1690
41	Ölsieb	Strainer	1	8.4636
42	Ölwannendeckel	Oil Tank Lid	1	8.1691
43	Namensschild	Name plate	1	8.1692
44	Schneidschraube M2,5x8	Flat head tapping screw M2,5x8L		8.1628

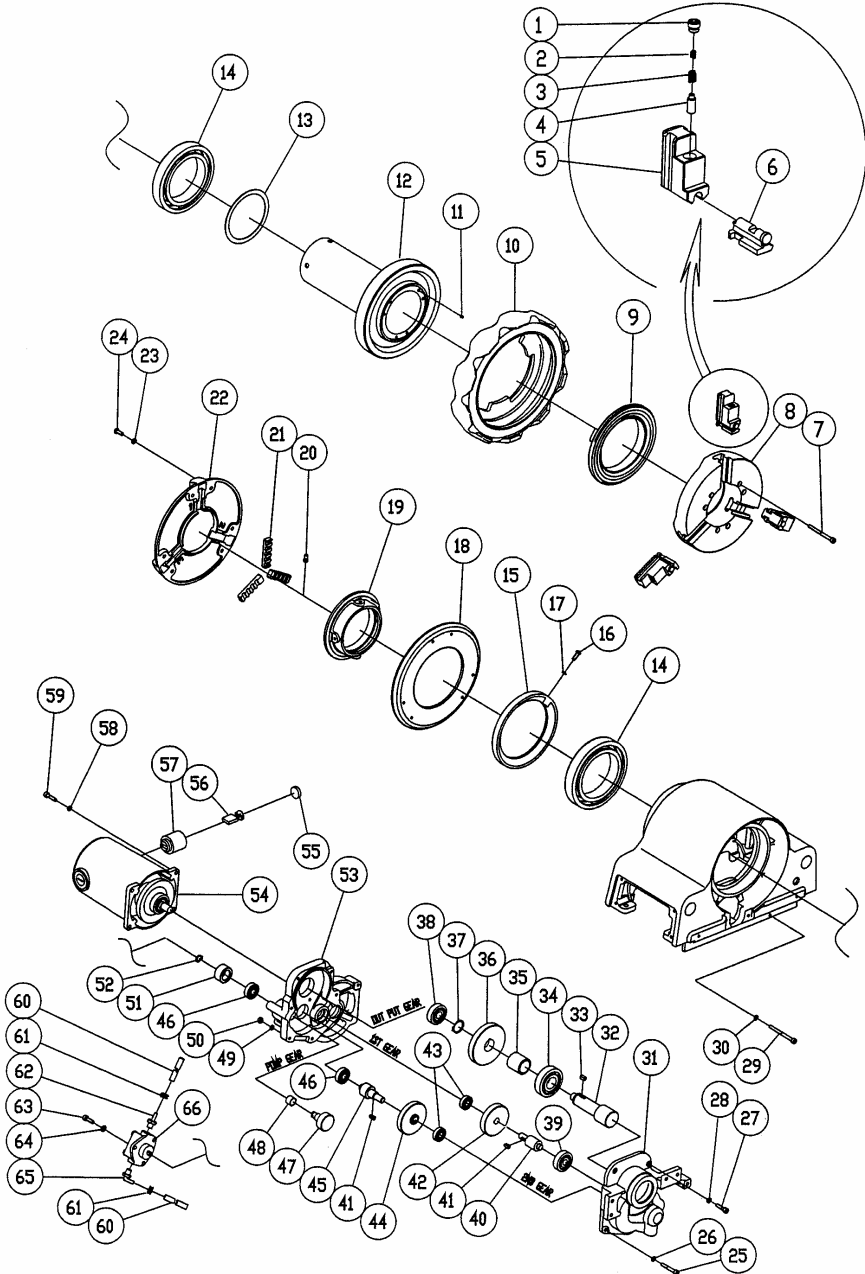


www.cscindustrial.com
 Ph: 1-866-496-7268
 Fax: 1-915-760-4832
 5970 Silver Springs Dr.
 El Paso, TX 79912

SUPERTRONIC 3 SE

Stand / dated: 05/04

Spannfutter, Arbeitsspindel / Hammer chuck, Scroll and Gears



www.cscindustrial.com
Ph: 1-866-496-7268
Fax: 1-915-760-4832
5970 Silver Springs Dr.
El Paso, TX 79912

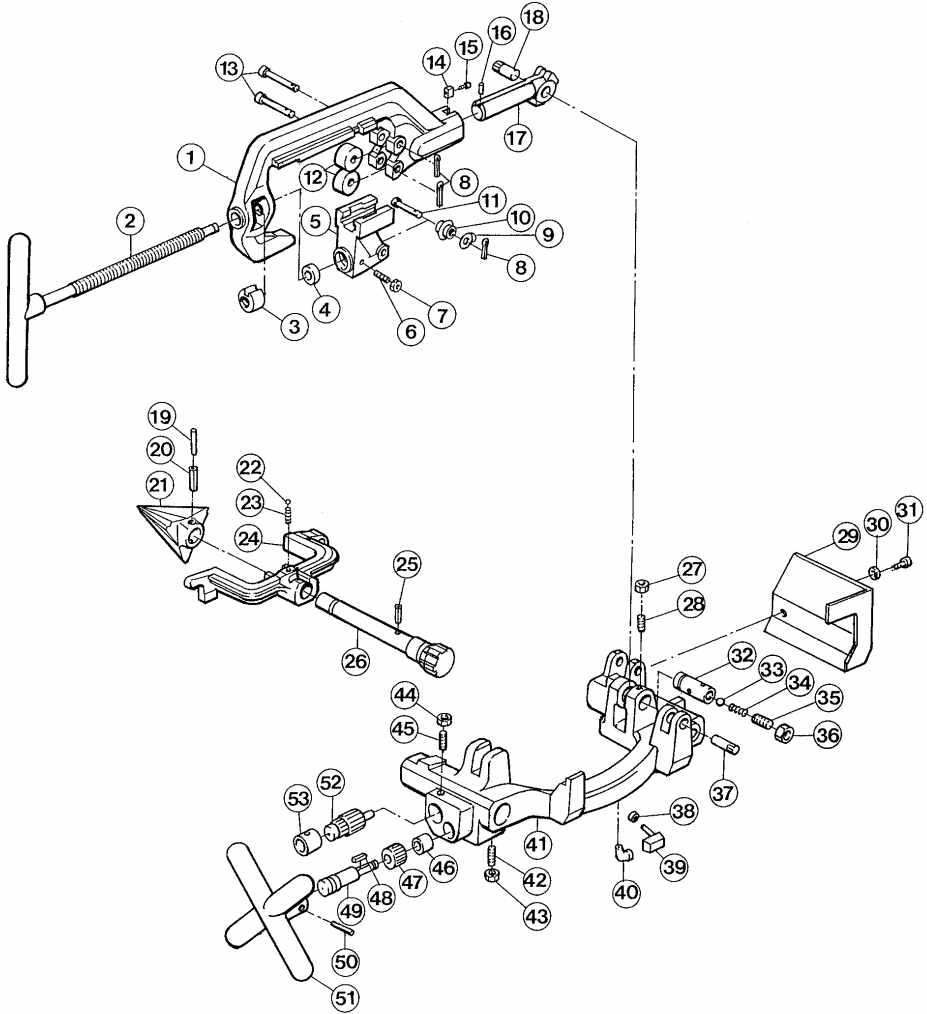
Spannfutter, Arbeitsspindel / Hammer chuck, Scroll and Gears

Nr./ No.	Bezeichnung	Description	Menge / QTY	Art.Nr. / No
set	Schnellspannfutter kpl. (1-6,8-10)	Hammer Chuck Complete (1-6,8-10)	1	8.1732
set	Spannbackensatz (1-6) (3 Stück)	Jaw Set Assembly (1-6)	1set	8.1733
set	Spannbackeneinsatz (2,3,4,6) (3 Stück)	Jaws Insert Set (2,3,4,6)	1 set	5.6177
1	Spannbackenschraube	Hammer Chuck Bolt	3	8.1693
2	Spannbackenfeder B	Hammer Chuck Spring B	3	8.1694
3	Spannbackenfeder A	Hammer Chuck Spring A	3	8.1695
4	Spannbackenstift	Hammer Chuck Pin	3	8.1696
5	Spannbackengrundkörpersatz (3 Stück)	Hammer Chuck Jaw Assembly	1 set	8.1697
6	Spannbackeneinsatz (3 Stück)	Jaw Insert Complete	1 set	8.1720
7	Schraube M6x70	Hex Socket Bolt M6x70L	6	8.1606
8	Spannfuttergrundkörper	Hammer Chuck Body	1	8.1613
9	Schneckenring, vorne	Hammer Chuck Scroll	1	8.1735
10	Schlagring	Hammer Chuck Outer Ring	1	8.1615
11	Druckfeder	Pre-Load Spring	6	8.5823
12	Arbeitsspindel kpl.	Spindle Gear Complete	1	8.1626
13	Druckring	Thrust Plate	1	8.6934
14	Kugellager 6020 2RS	Ball Bearing 6020 2RS	2	8.1627
15	Haltering	Scroll Ring	1	8.1660
16	Schraube M6x18	Pan Head Screw M6x18L	1	8.1698
17	Federring 6	Spring Washer CM6	1	8.1621
set	Zentrierfutter kpl. (18-24)	Scroll Assembly (18-24)	1	8.1736
18	Zentrierfutterdeckel, innen	Scroll Cap	1	8.1699
19	Zentrierfutter	Scroll	1	8.1700
20	Schraube, Zentrierfutter	Scroll Stop Bolt	4	8.6929
21	Zentrierbackensatz (3 Stück)	Scroll Jaw Set	1	8.6928
22	Zentrierfutterdeckel, aussen	Scroll Body	1	8.1737
23	Federring 6	Spring Washer CM6	6	8.1621
24	Schraube M6x18	Pan Head Screw M6x18L	6	8.1698
set	Getriebe kpl.	Drive Complete	1 set	8.1701
25	Schraube M6x40	Hex Socket Bolt M6x40L	1	8.1623
26	Federring 6	Spring Washer CM6	1	8.1621
27	Schraube M6x25	Hex Socket Bolt M6x25L	5	8.1703
28	Federring 6	Spring Washer CM6	5	8.1621
29	Schraube M6x70	Hex Socket Bolt M6x70L	1	8.1606
30	Federring 6	Spring Washer CM6	1	8.1621
31	Getriebedeckel, vorne	Case Cover Bracket	1	8.1738
32	Getriebewelle	Output Shaft Pinion	1	8.1739
33	Passfeder 6X6X13,5	Key 6x6x13	1	8.3344
34	Kugellager 6305 ZZ	Ball Bearing 6305ZZ	1	8.1740
35	Gleithülse	Output Collar	1	8.1741
36	Zahnrad	Output Shaft Reduction Gear	1	8.1742
37	Sicherungsring 25	C Snap Ring 5-25	1	8.5837
38	Kugellager 6302 ZZ	Ball Bearing 6302ZZ	1	8.1743
39	Kugellager 6301 ZZ	Ball Bearing 6301ZZ	1	8.6950
40	Getriebewelle	1st Shaft Pinion	1	8.1744
41	Passfeder 5x5x13	Key 5x5x13	2	8.3189
42	Zahnrad	1st Shaft Reduction Gear	1	8.1745
43	Kugellager 6001 ZZ	Ball Bearing 6001ZZ	2	8.8609
44	Zahnrad	2nd Shaft Reduction Gear	1	8.1746
45	Getriebewelle	2nd Shaft Pinion	1	8.1747
46	Kugellager 6201 ZZ	Ball Bearing 6201ZZ	2	8.5902
47	Pumpenantrieb	Pump Gear	1	8.1748
48	Gleithülse	Bush LFB1512	1	8.1749
49	Federring 6	Spring Washer CM6	7	8.1621
50	Mutter M6	U-Nut M6	1	8.1711
51	Pumpenscheibe	Pump Collar	1	8.1751
52	Sicherungsring 12	C Snap Ring 5-12	2	8.4072
53	Getriebedeckel, hinten	Spindle Case Cover	1	8.1752
54	Motor 220V-240V	Motor 220V-240V	1	8.1754
54	Motor 100V-120V	Motor 100V-120V	1	8.1753
55	Kohlenkappe	Carbon Cap	2	8.3694
56	Kohlenbürste	Carbon Brush	1 set	8.3690
57	Kohlenhalter	Carbon Holder	2	8.3692
58	Federring 6	Spring Washer CM6	4	8.1621
59	Schraube M6x25	Hex Socket Bolt M6x25L	4	8.1703
60	Ölschlauch WP15	Urethane Hose WP15	2	8.1656
61	Schlauchklemme D=12	Hose Clamp D=12	2	8.1657
62	Schraubnippel	Connector GE58xPT1/4	1	8.1658
63	Schraube M6x18	Hex Socket Bolt M6x18L	3	8.3501
64	Federring 6	Spring Washer CM6	3	8.1621
65	Winkelnippel WE8xPT1/4	Elbow WE58xPT1/4	1	8.1661
66	Ölpumpe SP27AR	Trochoid pump SP27AR	1	8.1755

SUPERTRONIC 4 SE

Stand / dated: 05/04

Rohrabschneider, Arbeitsschlitten, Entgrater / Pipe Cutter, Carriage and Reamer



www.cscindustrial.com
Ph: 1-866-496-7268
Fax: 1-915-760-4832
5970 Silver Springs Dr.
El Paso, TX 79912

Rohrabschneider, Arbeitsschlitten, Entgrater / Pipe Cutter, Carriage and Reamer

Nr. / No.	Bezeichnung	Description	Menge /QTY.	Art.-Nr / No.
1	Rohrabschneiderkörper	Cutter Body	1	8.7011
2	Handrad mit Spindel	Cutter Handle Complete	1	8.7012
3	Führungshülse	Sleeve	1	8.5870
4	Drucklager	Thrust Bearing 51201	1	8.5871
5	Schneidradhalter	Cutter Blade Holder	1	8.4687
6	Sechskantschraubenset M6x18L	Hex Socket Set Bolt M6x18L	1	8.5872
7	Mutter M6	Hex Nut M6	1	8.5873
8	Stift Ø2x15L	Split Pin Ø2x15L	3	8.3754
9	U-Scheibe	Cutter Washer	1	8.5869
10	Schneidrad	Cutter Blade No.3	1	7.0074
11	Schneidradachse	Cutter Blade Set Pin	1	8.3308
12	Druckrollen	Cutter Roller	2	8.3156
13	Achsstifte Druckrollen	Cutter Roller Set Pin	2	8.3308
14	Passfeder	Cutter Key	1	8.5861
15	Sechskantschraube M5x15L	Hex Bolt M5x15L	1	8.5862
16	Spannhülse Ø4x25L	Spring Pin Ø4x25L	1	8.5863
17	Halter, Rohrabschneider	Cutter Bracket	1	8.5864
18	Bolzen, Rohrabschneider	Cutter Pin	1	8.5865
19	Spannhülse Ø6x40L	Spring Pin Ø6x40L	1	8.5916
20	Spannhülse Ø10x40L	Spring Pin Ø10x40L	1	8.5756
21	Entgraterklinge	Reamer Blade	1	5.6200
22	Steel Ball 1/4	Steel Ball 1/4	1	8.5854
23	Feder	Reamer Spring	1	8.4171
24	Entgraterhalter	Reamer Holder	1	8.7014
25	Spannhülse Ø10x32L	Spring Pin Ø10x32L	1	8.5852
26	Entgraterschaft	Reamer Shaft Complete	1	8.5858
27	Mutter M8	Hex Nut M8	1	8.3789
28	Sechskantschraubenset M8x15L	Hex Socket Set Bolt M8x15L	1	8.6875
29	Spritschutzblech	Splashproof Plate	1	8.5884
30	U-Scheibe M6	Plain Washer M6	2	8.5968
31	Schraube M6x10L	Pan Head Screw M6x10L	2	8.7015
32	Haltebolzen, Schneidkopf	Die Head Set Pin	1	8.5886
33	Stahlkugel 5/16	Steel Ball 5/16	1	8.5805
34	Ölstellfeder	Oil Adjust Spring	1	8.3327
35	Ölstellschraube	Oil Adjust Screw	1	8.6783
36	Mutter M12	Hex Nut M12	1	8.1032
37	Entgraterbolzen	Reamer Set Pin	1	8.5856
38	Schlauchschele Ø12	Hose Clamp Ø12	1	8.1657
39	Winkel WES8xPT1/4	Elbow WES8xPT1/4	1	8.1661
40	Winkelröhrchen	Street Elbow	1	8.1673
41	Arbeitsschlitten	Carriage RO	1	8.7016
42	Sechskantschraubenset M6x22L	Hex Socket Set Bolt M6x22L	1	8.6871
43	Mutter M6	Hex Nut M6	1	8.4169
44	Mutter M6	Hex Nut M6	1	8.4169
45	Sechskantschraubenset M6x22L	Hex Socket Set Bolt M6x22L	1	8.6871
46	Führungshülse	CE Shaft Metal	1	8.7017
47	Antriebszahnrad	CE Rack Gear	1	8.7018
48	Passfeder 5x5x23	Key 5x5x23	1	8.7019
49	Antriebswelle	CE Pinion Shaft	1	8.7020
50	Spannhülse Ø6x40L	Spring Pin Ø6x40L	1	8.5916
51	Handrad	Rack Handle	1	8.1631
52	Zahnwelle	CE Rack Pinion	1	8.7021
53	Führungshülse	CE Pinion Metal	1	8.7022

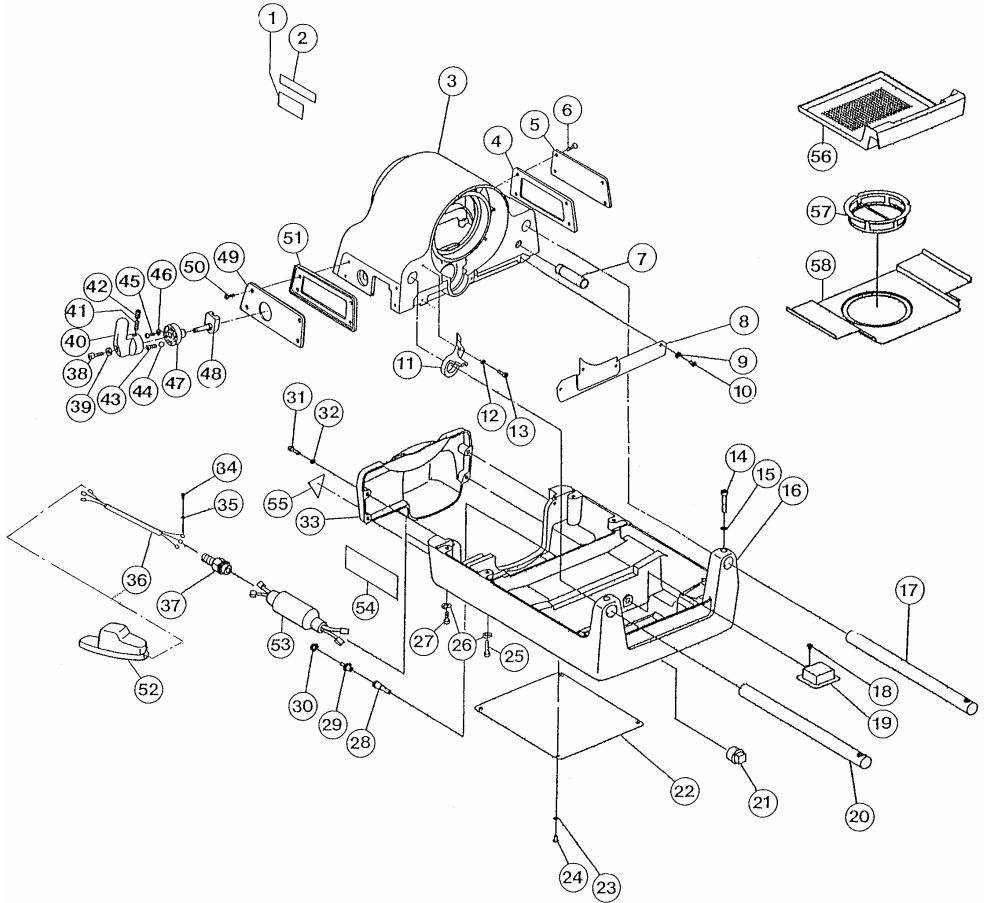


www.cscindustrial.com
 Ph: 1-866-496-7268
 Fax: 1-915-760-4832
 5970 Silver Springs Dr.
 El Paso, TX 79912

SUPERTRONIC 4 SE

Stand / dated: 05/04

Gehäuse / Frame, Spindle Case

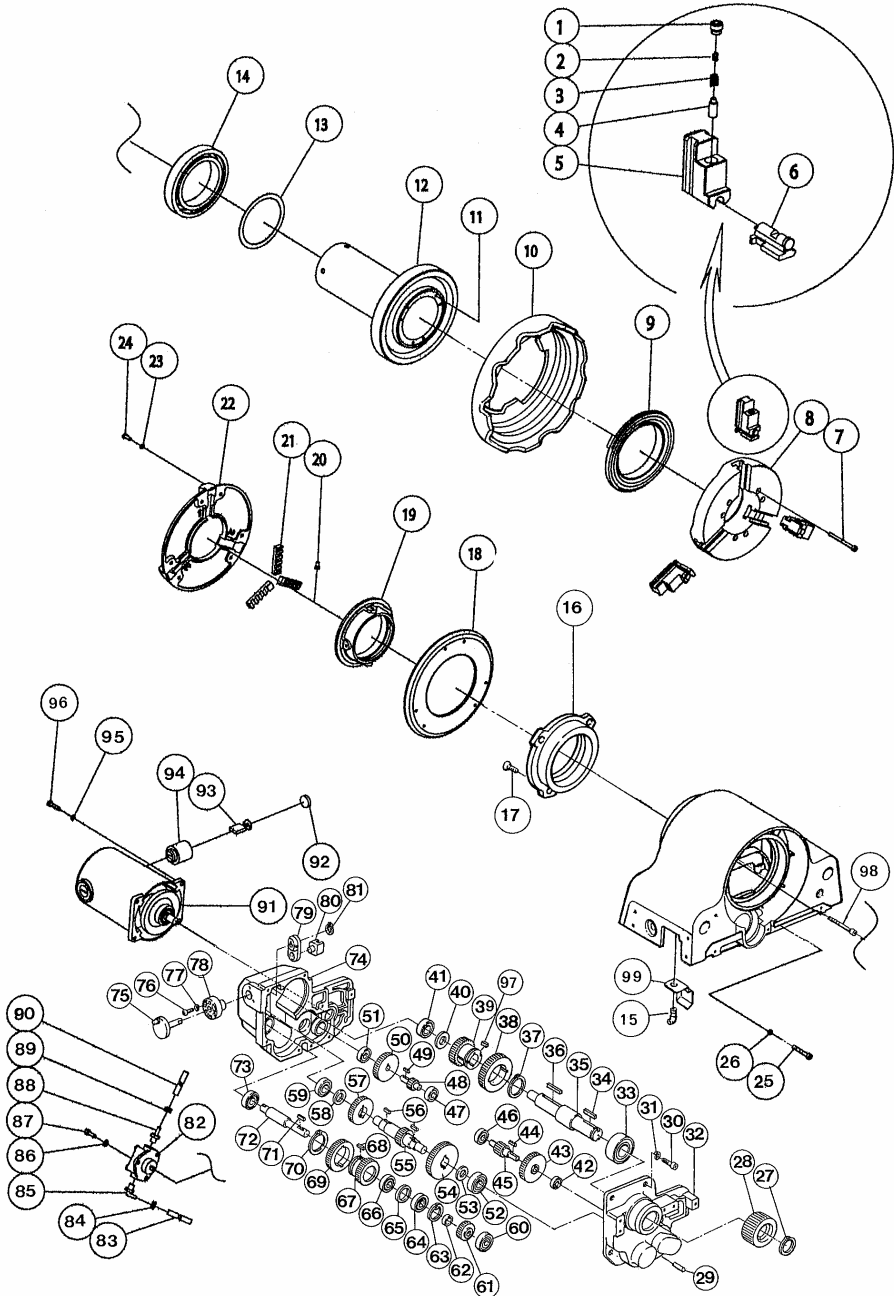


www.cscindustrial.com
Ph: 1-866-496-7268
Fax: 1-915-760-4832
5970 Silver Springs Dr.
El Paso, TX 79912

Gehäuse / Frame, Spindle Case

Nr./ No.	Bezeichnung	Description	Menge / QTY	Art.Nr. / No
1	Warnaufkleber	Caution Sticker RO	1	8.7080
2	Warnschild	Caution Plate RO	1	8.7081
3	Spindelgehäuse	Spindle Case	1	8.7082
4	Abdeckplatte	Machine Plate Base	1	8.7083
5	Typenschild RO 230V	Machine Plate RO 230V	1	8.7084
5	Typenschild RO 110V	Machine Plate RO 110V	1	8.7085
6	Schraube M6x10L	Flat Head Screw M6x10L	4	8.1633
7	Schlauchschtzhülse	Hose Protection Pipe	1	8.1678
8	Getriebeabdeckung	Gear Cover	1	8.7086
9	Federring CM6	Spring Washer CM6	4	8.1621
10	Schraube M6x12L	Pan Head Screw M6x12L	4	8.1648
11	Distanzscheibe RO	Outer Ring Spacer RO	1	8.7087
12	Federring CM6	Spring Washer CM6	1	8.1621
13	Sechskantschraube M6x18L	Hex Bolt M6x18L	1	8.3501
14	Sechskantschraube M8x45L	Hex Bolt M8x45L	2	8.5979
15	Federring CM8	Spring Washer CM8	2	8.1625
16	Gehäuseunterteil	Frame	1	8.7088
17	Gleitstange hinten	Guide Bar R	1	8.7089
18	Schraube M6x12L	Pan Head Screw M6x12L	1	8.1648
19	Filter	Filter	1	8.4188
20	Führungsstange vorn	Guide Bar F	1	8.7090
21	Ölablassschraube	Plug 1	1	8.1685
22	Untere Abdeckung	Frame Under Cover	1	8.7091
23	Federring CM6	Spring Washer CM6	4	8.1621
24	Sechskantschraube M6x10L	Hex Bolt M6x10L	4	8.1663
25	Sechskantschraube M8x50L	Hex Bolt M8x50L	2	8.1665
26	Federring CM8	Spring Washer CM8	4	8.1625
27	Sechskantschraube M8x25L	Hex Bolt M8x25L	2	8.3738
28	Saugrohr	Suction Pipe	1	8.1666
29	Nippel GES8xPT1/4	Connector GES8xPT1/4	1	8.1658
30	Schlauchklemme Ø12	Hose Clamp Ø12	1	8.1657
31	Sechskantschraube M6x20L	Hex Bolt M6x20L	4	8.3782
32	Federring CM6	Spring Washer CM6	4	8.1621
33	Motorabdeckung	Motor Cover	1	8.7092
34	Schraube M6x8L	Pan Head Screw M6x8L	1	8.1669
35	Zahnscheibe M6	Toothed Lock Washer M6	1	8.1668
36	Netzkabel	Power Cord ROF/SW	1	8.7093
37	Kabelverbinder	Cord Connector BS-PF1/2	1	8.7094
38	Sechskantschraube M8x35L	Hex Bolt M8x35L	1	8.5934
39	Federring CM8	Spring Washer CM8	1	8.1625
40	Schalthebel	Shift Lever	1	8.7095
41	Sechskantschraube M6x12L	Hex Set Bolt M6x12L	1	8.5940
42	Sechskantschraube M6x6L	Hex Set Bolt M6x6L	1	8.5932
43	Feder	Shift Lever Spring	1	8.6268
44	Stahlkugel	Steel Ball 3/8	1	8.4329
45	Schraube M5x16L	Pan Head Screw M5x16L precort	3	8.7031
46	Federring M5	Spring Washer M5	3	8.4094
47	Schaltgehäuse	Shift Metal	1	8.6267
48	Schaltwelle	Shift Lever Joint	1	8.7097
49	Abdeckplatte	Switch Plate RO	1	8.7098
50	Schraube M6x10L	Flat Head Screw M6x10L	4	8.1633
51	Zwischenplatte	Switch Plate Cover	1	8.7099
52	Fußschalter	Foot Switch	1	5.6335
53	Spulenkondensator 230V	Coil Capacitor Complete 230V	1	8.7102
53	Spulenkondensator 110V	Coil Capacitor Complete 110V	1	8.7103
54	ROTHENBERGER Namensschild	ROTHENBERGER Rogo Sticker	1	8.7104
55	Warnaufkleber	Warning Sticker RO	1	8.7105
56	Spänewanne	Chip Pan	1	8.1690
57	Ölsieb	Strainer	1	8.4636
58	Ölwannendeckel	Oil Tank Lid	1	8.7106

Spannfutter, Arbeitsspindel / Hammer chuck, Scroll and Gears



Spannfutter, Arbeitsspindel / Hammer chuck, Scroll and Gears

Nr./ No.	Bezeichnung	Description	Menge / QTY	Art.Nr. / No
1	Spannbackenschraube	Hammer Chuck Bolt	3	8.1693
2	Spannbackenfeder B	Hammer Chuck Spring B	3	8.1694
3	Spannbackenfeder A	Hammer Chuck Spring A	3	8.1695
4	Spannbackenstift	Hammer Chuck Pin	3	8.1696
5	Spannbackengrundkörpersatz(3 Stück)	Hammer Chuck Jaw Assembly	1	8.7023
6	Spannbackeneinsätze (3 Stück)	Jaw Inserts Set (3 pcs/set)	set	8.1720
7	Schraube M8x75L	Hex Bolt M8x75L	6	8.5942
8	Spannfuttergrundkörper	Hammer Chuck Body RO	1	8.7024
9	Schneckenring vorn	Hammer Chuck Scroll	1	8.4692
10	Schlagring	Hammer Chuck Outer Ring	1	8.7025
11	Druckfeder	Pre-Load Spring	6	8.6265
12	Arbeitsspindel komplett	Spindle Gear Complete	1	8.7026
13	Druckring	Thrust Plate	1	8.7027
14	Kugellager 6028	Ball Bearing 6028	1	8.7028
15	Abschmierlippe JIS 67.5 PF1/8	Grease Nipple JIS 67.5 PF1/8	1	8.7029
16	Führungsring hinten	Rear Metal	1	8.7030
17	Schraube M5x16L	Pan Head Screw M5x16L precort	4	8.7031
18	Zentrierfutterdeckel innen	Scroll Cap	1	8.7032
19	Zentrierfutter	Scroll	1	8.7033
20	Schraube, Zentrierfutter	Scroll Stop Bolt	4	8.6929
21	Zentrierbackensatz (3 Stück)	Scroll Jaws (3 pcs/set)	1 set	8.7034
22	Zentrierfutterdeckel außen	Scroll Body	1	8.7035
23	Federring CM6	Spring Washer CM6	6	8.1621
24	Pan Head Screw M6x18L	Pan Head Screw M6x18L	6	8.1698
25	Hex Bolt M6x25L	Hex Bolt M6x25L	4	8.1703
26	Federring CM6	Spring Washer CM6	5	8.1621
27	Seegerring S-30	C Snap Ring S-30	1	8.7036
28	Getriebewelle	Output Shaft Pinion	1	8.7037
29	Spannhülse 8x28L m6	Parallel Pin 8x28L m6	1	8.7038
30	Hex Bolt M6x25L	Hex Bolt M6x25L	6	8.1703
31	Spring Washer CM6	Spring Washer CM6	6	8.1621
32	Getriebegehäuse	Gear Box	1	8.7039
33	Kugellager 5206ZZ	Ball Bearing 5206ZZ	1	8.7040
34	Passfeder 6x6x40	Key 6x6x40	2	8.7041
35	Getriebewelle	Output Shaft	1	8.7042
36	Passfeder 6x6x67	Key 6x6x67	2	8.7043
37	Seegerring S-48	C Snap Ring S-48	1	8.7044
38	Getrieberad	Output Shaft Low Speed Gear	1	8.7045
39	Getrieberadeinsatz	Output Shaft High Speed Gear	1	8.7046
40	Distanzring	Output Shaft Spacer	2	8.7047
41	Kugellager 6004ZZ	Ball Bearing 6004ZZ	1	8.7048
42	Kugellager 6001ZZ	Ball Bearing 6001ZZ	1	8.8609
43	Zahnrad	2nd Shaft Reduction Gear	1	8.1746
44	Passfeder 5x5x13	Key 5x5x13	1	8.3189
45	Getriebewelle	2nd Shaft pinion	1	8.1747
46	Kugellager 6201ZZ	Ball Bearing 6201ZZ	1	8.9502
47	Kugellager 6001ZZ	Ball Bearing 6001ZZ	1	8.8609
48	Getriebewelle	1st Shaft pinion	1	8.1744
49	Passfeder 5x5x13	Key 5x5x13	1	8.3189
50	Zahnrad	1st Shaft Reduction Gear	1	8.1745
51	Kugellager 6001ZZ	Ball Bearing 6001ZZ	1	8.8609
52	Kugellager 6204ZZ	Ball Bearing 6204ZZ	1	8.7049
53	Druckscheibe FTFC2035 (t2)	Thrust washer FTFC2035 (t2)	1	8.7050
54	Zahnrad	4th Shaft Reduction Gear	1	8.7051
55	Getriebewelle	4th Shaft Low Speed Gear	1	8.7052
56	Passfeder 6x6x13	Key 6x6x13	4	8.3344
57	Zahnrad	4th Shaft High Speed Gear	1	8.7053
58	Distanzring	Output Shaft Spacer	2	8.7047
59	Kugellager 6004ZZ	Ball Bearing 6004ZZ	1	8.7048
60	Kugellager 6203ZZ	Ball Bearing 6203ZZ	1	8.5906
61	Pumpennritzel	3rd Shaft Pump Gear	1	8.7056
62	Distanzhülse	3rd Shaft Spacer	1	8.7057
63	Seegerring H-35	C Snap Ring H-35	1	8.7058
64	Kugellager 6003ZZ	Ball Bearing 6003ZZ	1	8.7059
65	Ringhülse	3rd Shaft Collar	1	8.7060
66	Kugellager 6003ZZ	Ball Bearing 6003ZZ	1	8.7059
67	Zahnkranz	3rd Shaft pinion	1	8.7062
68	Passfeder 5x5x13	Key 5x5x13	2	8.3189
69	Zahnkranz	3rd Shaft Reduction Gear	1	8.7063
70	Seegerring S-48	C Snap Ring S-48	1	8.7044
71	Passfeder 5x5x13	Key 5x5x13	1	8.3189
72	Getriebewelle	3rd Shaft	1	8.7065
73	Kugellager 6203ZZ	Ball Bearing 6203ZZ	1	8.5906

Spannfutter, Arbeitsspindel / Hammer chuck, Scroll and Gears

Nr./ No.	Bezeichnung	Description	Menge / QTY	Art.Nr. / No
74	Getriebegehäuse	Gear Box Cover	1	8.7066
75	Hubwelle	Shift Shaft	1	8.7067
76	Schraube M5x16L	Pan Head Screw M5x16L precort	3	8.7031
77	Federring M5	Spring Washer M5	3	8.4094
78	Antriebskörper	Shift Metal	1	8.6267
79	Zwischenglied	Shift Link	1	8.7069
80	Verbindungsglied	Shift Shoe	1	8.7070
81	Seegerring S-16	C Snap Ring S-16	1	8.5904
82	Ölpumpe	BE Gear Pump 18AR	1	8.7071
83	Ölschlauch WP15	Urethane Hose WP15	1	8.1656
84	Schlauchschele Ø12	Hose Clamp Ø12	1	8.1657
85	Winkel WES8xPT1/4	Elbow WES8xPT1/4	1	8.1661
86	Federscheibe CM6	Spring Washer CM6	3	8.1621
87	Sechskantschraube M6x18L	Hex Bolt M6x18L	3	8.3501
88	Verbindungsnipl GES8xPT1/4	Connector GES8xPT1/4	1	8.1658
89	Schlauchschele Ø12	Hose Clamp Ø12	1	8.1657
90	Ölschlauch WP15	Urethane Hose WP15	1	8.1656
91	Motor 100V-120V	Motor 100V-120V	1	8.7072
91	Motor 220V-240V	Motor 220V-240V	1	8.1754
92	Kohlekappe	Holder Cap	2	8.3694
93	Kohlebürsten	Carbon Brush	1 set	8.3690
94	Kohlenhalter	Carbon Holder	2	8.3692
95	Federscheibe CM6	Spring Washer CM6	4	8.1621
96	Sechskantschraube M6x25L	Hex Bolt M6x25L	4	8.1703
97	Passfeder 6x6x13	Key 6x6x13	2	8.3344
98	Sechskantschraube M6x65L	Hex Bolt M6x65L	1	8.6939
99	Abdeckung Abschmiernippel	Grease Nipple Cover RO	1	8.7073
	Schnellspannfutter komplett	Hammer Chuck Complete RO	1	8.7074
	Rotor 100V-120V	Armature 100V-120V	1	8.7075
	Stator 220V-240V	Stator 220V-240V	1	8.7076
	Stator 100V-120V	Stator 100V-120V	1	8.7078
	Rotor 220V-240V	Armature 220V-240V	1	8.7079

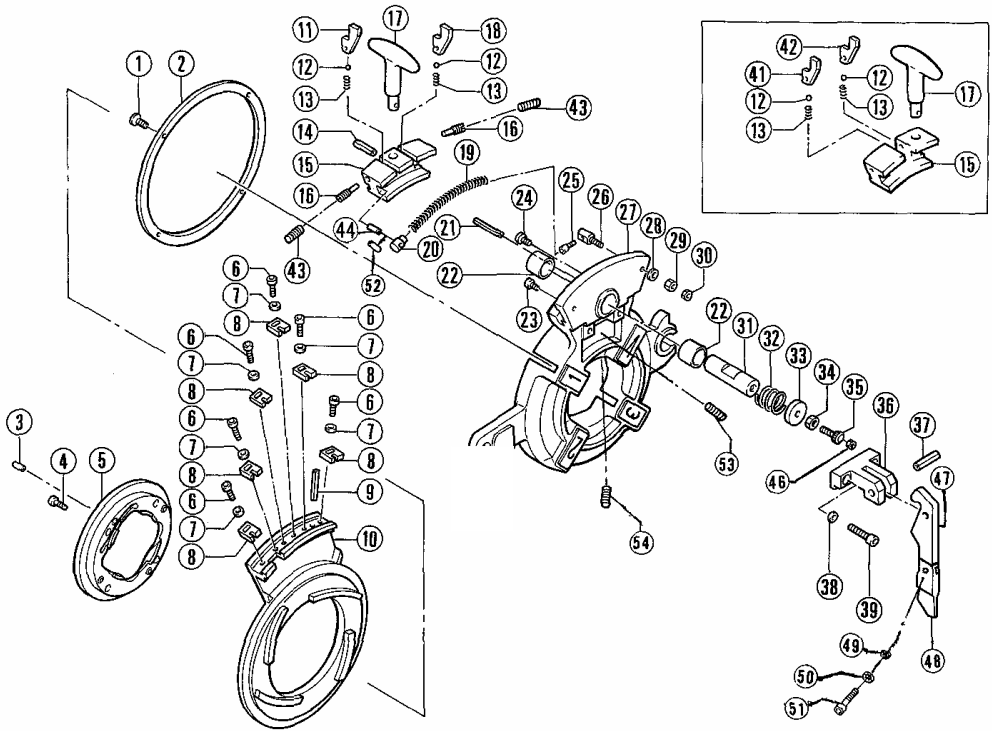


www.cscindustrial.com
 Ph: 1-866-496-7268
 Fax: 1-915-760-4832
 5970 Silver Springs Dr.
 El Paso, TX 79912

Gewindeschneidköpfe – Die Heads

Stand / dated: 06/04

Automatik-Schneidkopf ½" - 3" – Automatic-Die-Head ½" - 3"



www.cscindustrial.com
Ph: 1-866-496-7268
Fax: 1-915-760-4832
5970 Silver Springs Dr.
El Paso, TX 79912

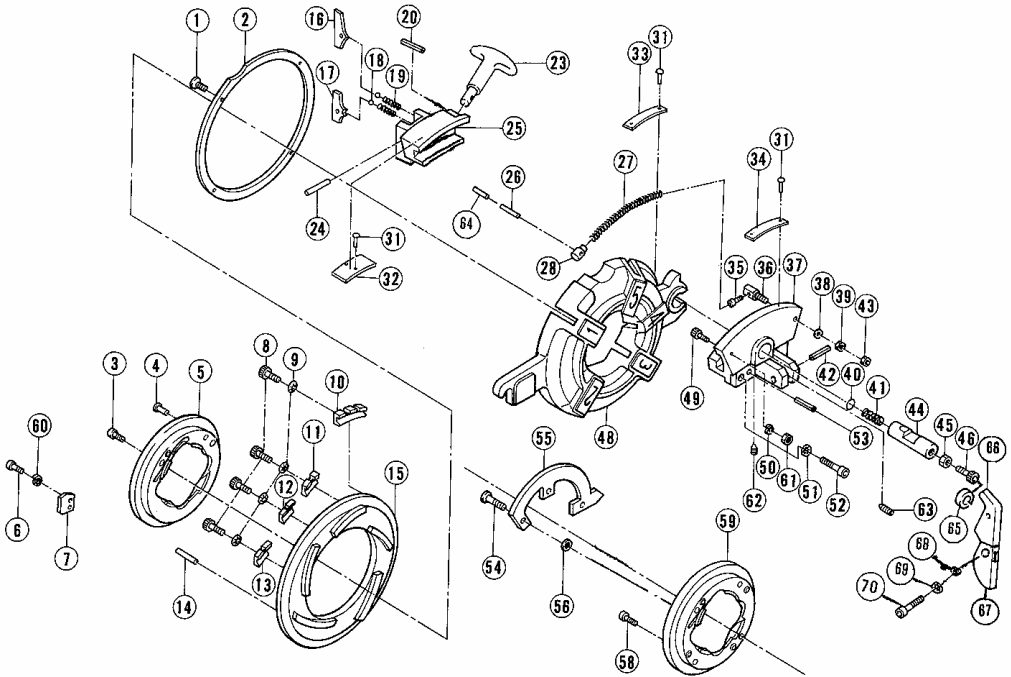
Automatik-Schneidkopf ½"- 3" – Automatic-Die-Head ½"- 3"

Nr. / No.	Bezeichnung	Description	Menge /QTY.	Art.-Nr / No.
1	Senkschraube M6x15 DIN 7991	Countersunk screw M6x15 DIN 7991	4	8.3489
2	Ringplatte 1/2"-2"	Ring plate 1/2"-2"	1	8.3490
2	Ringplatte 2 1/2"-3"	Ring plate 2 1/2"-3"	1	8.3491
3	Kugelkappe	Ball cap	4	8.3601
4	Zylinderschraube M6 X 20 DIN 912	Cylindrical screw M6 X 20 DIN 912	4	8.1023
5	Haltering 1/2"-2"	Retainer plate 1/2"-2"	1	8.3488
5	Haltering 2 1/2"-3"	Retainer plate 2 1/2"-3"	1	8.3496
6	Zylinderschraube M6 X 18 DIN 912	Cylindrical screw M6 X 18 DIN 912	6	8.3501
7	Scheibe DIN 125-6	Washer DIN 125-6	6	8.3526
8	Einstellsegment 1/2"	Location block 1/2"	1	8.3241
8	Einstellsegment 3/4"	Location block 3/4"	1	8.3242
8	Einstellsegment 1" L	Location block 1"	1	8.3243
8	Einstellsegment 1.1/4"	Location block 1.1/4"	1	8.3244
8	Einstellsegment 1.1/2"	Location block 1.1/2"	1	8.3245
8	Einstellsegment 2"	Location block 2"	1	8.3246
8	Einstellsegment 2 1/2"	Location block 2 1/2"	1	8.3247
8	Einstellsegment 3"	Location block 3"	1	8.3248
8	Einstellsegment zum Schneidbacken Wechsel	Location block for change dies	1	8.4043
9	Spannstift 8 X 35 DIN 1481	Dowel pin 8 X 35 DIN 1481	1	8.3528
10	Verstellscheibe 1/2"-2" BSPT	Scroll plate 1/2"-2" BSPT	1	8.3530
10	Verstellscheibe 1/2"-2" NPT	Scroll plate 1/2"-2" NPT	1	8.3855
10	Verstellscheibe 2 1/2"-3" BSPT	Scroll plate 2 1/2"-3" BSPT	1	8.3531
10	Verstellscheibe 2 1/2"-3" NPT	Scroll plate 2 1/2"-3" NPT	1	8.3856
11	Arretiersegment 1/2"-1"	Location plate 1/2"-1"	1	8.3483
12	Kugel 3/16"	Ball 3/16"	1	8.3485
13	Druckfeder	Compression spring	1	8.3486
14	Spannstift 4x18 DIN 1481	Dowel pin 4x18 DIN 1481	1	8.3545
15	Verstellssegment 1/2"-2" BSPT	Profile unit 1/2"-2" BSPT	1	8.3546
15	Verstellssegment 1/2"-2" NPT	Profile unit 1/2"-2" NPT	1	8.3837
15	Verstellssegment 2 1/2"-3"	Profile unit 2 1/2"-3"	1	8.3547
16	Spannstift	Dowel pin	2	8.3487
17	Hebel, Griffstück	Operating handle lever	1	8.6482
18	Arretiersegment 1 1/4"-2"	Location plate 1 1/4"-2"	1	8.3484
19	Spannfeder 1/2"-4"	Spring 1/2"-4"	1	8.3553
20	Federstopper	Spring stopper	1	8.3555
21	Spannstift 6 X 25 DIN 1481	Dowel pin 6 X 25 DIN 1481	1	8.4674
22	Führungshülse	Pin guide	2	8.3556
23	Zylinderschraube M6x6 DIN 912	Cylindrical screw M6x6 DIN 912	1	8.3557
24	Kreuzschlitzschraube M 6x10 DIN 7985	Pan head screw M 6x10 DIN 7985	1	8.3562
25	Zylinderschraube M5x8 DIN 912	Cylindrical screw M5x8 DIN 912	1	8.3563
26	Federstopper	Spring stopper	1	8.3564
27	Grundkörper 1/2"-2"	Die-head body 1/2"-2"	1	8.3565
27	Grundkörper 2 1/2"-3"	Die-head body 2 1/2"-3"	1	8.3568
28	Scheibe DIN 125-6	Washer DIN 125-6	1	8.3599
29	Sechskantmutter M6 DIN 934	Hexagon nut M6 DIN 934	1	8.3654
30	Sechskantmutter M6 DIN 934	Hexagon nut M6 DIN 934	1	8.5873
31	Arretierbolzen 1/2"-2"	Profile pin 1/2"-2"	1	8.3902
31	Arretierbolzen 2 1/2"-3"	Profile pin 2 1/2"-3"	1	8.3903
32	Druckfeder	Compression spring	1	8.3906
33	Federhalteplatte	Spring cap	1	8.3907
34	Sechskantmutter M8 DIN 934	Hexagon nut M8 DIN 934	1	8.3908
35	Stellschraube	Adjust bolt	1	8.3911
36	Halter für Auswürkarm 1/2"-2"	Lever support 1/2"-2"	1	8.3913
37	Spannstift 8x30 DIN 1481	Dowel pin 8x30 DIN 1481	1	8.8598
38	Federscheibe DIN 137-6	Spring washer DIN 137-6	2	8.3651
39	Zylinderschraube M6x35 DIN 912 1/2"-2"	Cylindrical screw M6x35 DIN 912 1/2"-2"	2	8.3926
41	2-Stufen Arretiersegment	2-step thread plate	1	8.3935
42	Arretiersegment	Location plate	1	8.3936
43	Gewindestift M6x8 DIN 913	Setscrew M6x8 DIN 913	1	8.3937
44	Spannstift 6x18 DIN 1481	Dowel pin 6x18 DIN 1481	1	8.3938
46	Buchse	Collar	1	8.3513
47	Auslöser Oberteil ½"-2"	Locking lever body ½"-2"	1	8.3502
47	Auslöser Oberteil 2 ½"-3"	Locking lever body 2 ½"-3"	1	8.3504
48	Auslöser Unterteil ½"-2"	Locking lever head ½"-2"	1	8.3503
48	Auslöser Unterteil 2 ½"-3"	Locking lever head 2 ½"-3"	1	8.3505
49	U-Scheibe 6	Washer 6	1	8.3512
50	Federscheibe 6	Spring washer 6	1	8.5899
51	Zylinderschraube M6x12	Hex bolt 6x12	1	8.3655
52	Spannhülse 3,5x12	R-Pin 3,5x12	1	8.4046
53	Madenschraube M6x6	Screw 6x6	1	8.3805
54	Sechskantschraube M6x12	Screw 6x12	1	8.3510

Gewindeschneidköpfe – Die Heads

Stand / dated: 06/04

Automatik-Schneidkopf 2½" - 4" – Automatic-Die-Head 2½" - 4"



www.cscindustrial.com
Ph: 1-866-496-7268
Fax: 1-915-760-4832
5970 Silver Springs Dr.
El Paso, TX 79912

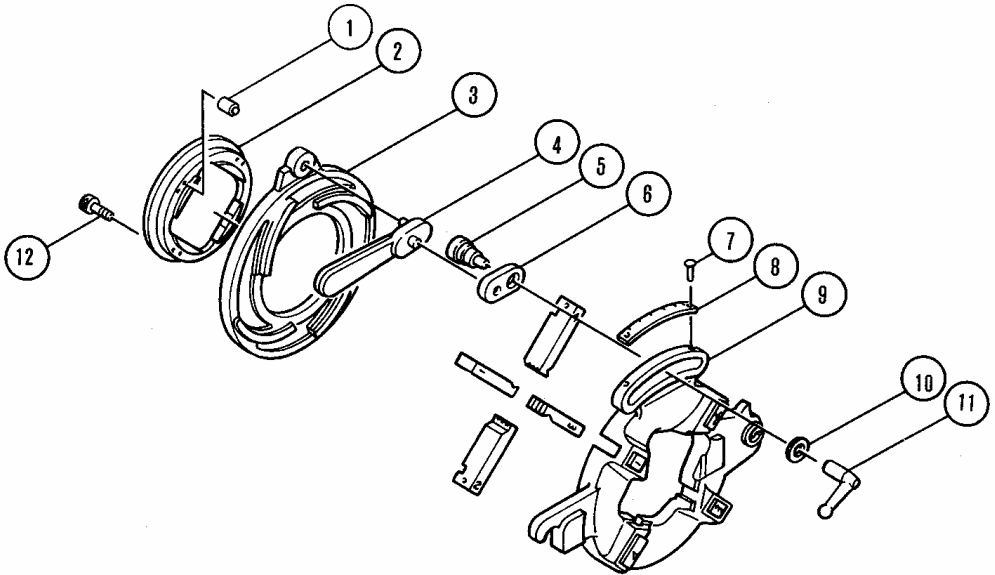
Automatik-Schneidkopf 2 1/2" - 4" – Automatic-Die-Head 2 1/2" - 4"

Nr. / No.	Bezeichnung	Description	Menge /QTY.	Art.-Nr / No.
1	Senkschraube M6x15 DIN 7991	Countersunk screw M6x15 DIN 7991	5	8.3489
2	Ringplatte 3 1/2"-4"	Ring plate 3 1/2"-4"	1	8.3492
3	Zylinderschraube M6x20 DIN 912	Cylindrical screw M6x20 DIN 912	5	8.1023
4	Kugelkappe	Ball cap	5	8.3601
5	Haltering 2 1/2"-4"	Retainer plate 2 1/2"-4"	1	8.3940
6	Linsenschraube M5x10 DIN 7985	Oval head screw M5x10 DIN 7985	2	8.3941
7	Anschlagplatte 2 1/2"-4"	Stopper plate 2 1/2"-4"	1	8.3946
8	Zylinderschraube M6x15	Cylindrical screw M6x15	4	8.3669
9	Scheibe DIN 125-6	Washer DIN 125-6	4	8.3526
10	Einstellsegment 4"	Location block 4"	1	8.3952
11	Einstellsegment 3 1/2"	Location block 3 1/2"	1	8.3953
12	Einstellsegment 3"	Location block 3"	1	8.3955
13	Einstellsegment 2.1/2"	Location block 2.1/2"	1	8.3956
14	Spannstift 5x12 DIN 1481	Dowel pin 5x12 DIN 1481	1	8.5953
15	Verstellscheibe 2 1/2"-4" BSPT	Scroll plate 2 1/2"-4" BSPT	1	8.3958
15	Verstellscheibe 2 1/2"-4" NPT	Scroll plate 2 1/2"-4" NPT	1	8.4123
16	Arretiersegment 2 1/2"-4"	Location plate 2 1/2"-4"	1	8.4124
17	2-Stufen-Arretiersegment 2 1/2"-4"	2-step thread plate 2 1/2"-4"	1	8.4124
18	Kugel 3/16"	Ball 3/16"	2	8.3485
19	Druckfeder	Compression spring	2	8.3486
22	Scheibe DIN 125-6	Washer DIN 125-6	1	8.3526
23	Hebel, Griffstück	Operating handle lever	1	8.6482
24	Spannstift 5x30 DIN 1481	Dowel pin 5x30 DIN 1481	1	8.4138
25	Verstellsegment 2 1/2"-4"	Profile unit 2 1/2"-4"	1	8.4139
26	Spannstift 6x32 DIN 1481	Dowel pin 6x32 DIN 1481	1	8.4137
27	Spannfeder 12"-4"	Spring 12"-4"	1	8.3553
28	Federstopper	Spring stopper	1	8.3555
35	Zylinderschraube M5x8 DIN 912	Cylindrical screw M5x8 DIN 912	1	8.3563
36	Federstopper	Spring stopper	1	8.3564
37	Halter für Ausrückarm 2 1/2"-4"	Lever support 2 1/2"-4"	1	8.4145
38	Scheibe DIN 125-6	Washer DIN 125-6	1	8.4144
39	Sechskantmutter M6 DIN 934	Hexagon nut M6 DIN 934	1	8.3520
40	Zwischenplatte 2 1/2"-4"	Receiving plate 2 1/2"-4"	1	8.4152
41	Druckfeder	Compression spring	1	8.4153
42	Spannstift 8x28 DIN 1481	Dowel pin 8x28 DIN 1481	1	8.4164
43	Sechskantmutter M6 DIN 934	Hexagon nut M6 DIN 934	1	8.4169
44	Arretierbolzen 2 1/2"-4"	Profile pin 2 1/2"-4"	1	8.4176
45	Sechskantmutter M8 DIN 934	Hexagon nut M8 DIN 934	1	8.3908
46	Stellschraube 2 1/2"-4"	Adjust screw 2 1/2"-4"	1	8.3911
48	Grundkörper 2 1/2"-4"	Die-head body automatic 2 1/2"-4"	1	8.4179
49	Zylinderschraube M5x12 DIN 912	Cylindrical screw M5x12 DIN 912	1	8.3669
50	Federring DIN 128-A6	Spring ring DIN 128-A6	1	8.5899
51	Federscheibe DIN 137-6	Spring washer DIN 137-6	2	8.3651
52	Zylinderschraube M6x25 DIN 912	Cylindrical screw M6x25 DIN 912	2	8.3927
53	Spannstift 6x20 DIN 1481	Dowel pin 6x20 DIN 1481	2	8.4191
54	Zylinderschraube M6x30 DIN 912	Cylindrical screw M6x30 DIN 912	3	8.4192
55	Abdeckplatte für Haltering 2 1/2"-4"	Retainer plate cover 2 1/2"-4"	1	8.4194
56	Scheibe DIN 125-6	Washer DIN 125-6	3	8.5948
58	Zylinderschraube M6x25 DIN 912	Cylindrical screw M6x25 DIN 912	2	8.4198
59	Haltering	Retainer plate	1	8.3940
60	Federring DIN 128-A5	Spring ring DIN 128-A5	2	8.4094
61	Sechskantmutter M6 DIN 934	Hexagon nut M6 DIN 934	1	8.3520
62	Gewindestift M6x20 DIN 913	Setscrew M6x20 DIN 913	1	8.5883
63	Gewindestift M6x6 DIN 913	Setscrew M6x6 DIN 913	1	8.3805
64	Spannstift 3,5x30	Dowel pin 3,5x30	1	8.3515
65	Buchse	Collar	1	8.3514
66	Auslöser Oberteil	Locking lever body	1	8.3506
67	Auslöser Unterteil	Locking lever head	1	8.3507
68	U-Scheibe 6	Washer 6	1	8.3512
69	Federscheibe 6	Spring washer 6	1	8.5899
70	Zylinderschraube M6x20	Stop bolt 6x12	1	8.3655

Gewindeschneidköpfe – Die Heads

Stand / dated: 05/04

Standard-Schneidkopf BSPT/NPT – Standard-Die-Head BSPT/NPT



www.cscindustrial.com
Ph: 1-866-496-7268
Fax: 1-915-760-4832
5970 Silver Springs Dr.
El Paso, TX 79912

Standard-Schneidkopf BSPT/NPT – Standard-Die-Head BSPT/NPT

Nr./ No.	Bezeichnung	Description	Menge / QTY	Art.Nr. / No
1	Kugelkappe 1/2"-4"	Ball cap 1/2"-4"	4	8.3601
1	Kugelkappe 1/4"-3/8"	Ball cap 1/4"-3/8"	4	8.3602
2	Haltering 1/2"-2"	Retainer plate 1/2"-2"	1	8.3603
2	Haltering 2"-3"	Retainer plate 2"-3"	1	8.3604
2	Haltering 3.1/2"-4"	Retainer plate 3.1/2"-4"	1	8.3497
2	Haltering 1/4"-3/8"	Retainer plate 1/4"-3/8"	1	8.3606
3	Verstellscheibe 1/2"-2"	Scroll plate 1/2"-2"	1	8.3612
3	Verstellscheibe 2"-3"	Scroll plate 2"-3"	1	8.3613
3	Verstellscheibe 3 1/2"-4"	Scroll plate 3 1/2"-4"	1	8.3613
3	Verstellscheibe 1/4"-3/8"	Scroll plate 1/4"-3/8"	1	8.3614
3	Verstellscheibe 2 1/2"-3" NPT	Scroll plate 2 1/2"-3" NPT	1	8.3625
4	Verstellhebel 1/2"-4"	Operating lever 1/2"-4"	1	8.3618
4	Verstellhebel 1/4"-3/8"	Operating lever 1/4"-3/8"	1	8.3769
4	Verstellhebel 2 1/2"-4" NPT	Operating lever 2 1/2"-4" NPT	1	8.3770
5	Schraube geflacht 1/2"-4"	Link pivot screw 1/2"-4"	1	8.3615
5	Schraube geflacht 1/4"-3/8"	Link pivot screw 1/4"-3/8"	1	8.3771
6	Verstellsegment 1/2"-4"	Link 1/2"-4"	1	8.3616
6	Verstellsegment 1/4"-3/8"	Link 1/4"-3/8"	1	8.3772
7	Niete für Skala	Plate tack	2	8.3622
8	Skala 1/2"-2"	Scale plate 1/2"-2"	1	8.3621
8	Skala 2"-3"	Scale plate 2"-3"	1	8.3766
8	Skala 3 1/2"-4"	Scale plate 3 1/2"-4"	1	8.4098
8	Skala 1/4"-3/8"	Scale plate NPT 1/2"-2"	1	8.3768
8	Skala NPT 1/2"-2"	Scale plate NPT 2 1/2"-3"	1	8.3623
8	Skala NPT 2 1/2"-3"	Scale plate NPT 3 1/2"-4"	1	8.3631
8	Skala NPT 3 1/2"-4"	Scale plate NPT 1/4"-3/8"	1	8.3632
8	Skala NPT 1/4"-3/8"	Scale plate 1/4"-3/8"	1	8.3629
9	Grundkörper Standard 1/2"-2"	Die-head body standard 1/2"-2"	1	8.3773
9	Grundkörper Standard 2"-3"	Die-head body standard 2"-3"	1	8.3774
9	Grundkörper Standard 3 1/2"-4"	Die-head body standard 3 1/2"-4"	1	8.3775
9	Grundkörper Standard 1/4"-3/8"	Die-head body standard 1/4"-3/8"	1	8.3776
9	Grundkörper Standard 2 1/2"-3" NPT	Die-head body standard 2 1/2"-3" NPT	1	8.3777
9	Grundkörper Standard 3 1/2"-4" NPT	Die-head body standard 3 1/2"-4" NPT	1	8.3778
10	Scheibe 1/4"-4"	Washer 1/4"-4"	1	8.3619
11	Feststellhebel 1/2"-4"	Scroll plate locking lever 1/2"-4"	1	8.3617
11	Feststellhebel 1/4"-3/8"	Scroll plate locking lever 1/4"-3/8"	1	8.3780
11	Feststellhebel 2 1/2"-4"	Scroll plate locking lever 2 1/2"-4"	1	8.3781
12	Zylinderschraube M6 x 20 DIN 912 1/2"-4"	Cylindrical screw M6 x 20 DIN 912 1/2"-4"	4	8.3782
12	Zylinderschraube M5 x 20 DIN 912 1/4"-3/8"	Cylindrical screw M5 x 20 DIN 912 1/4"-3/8	4	8.3783

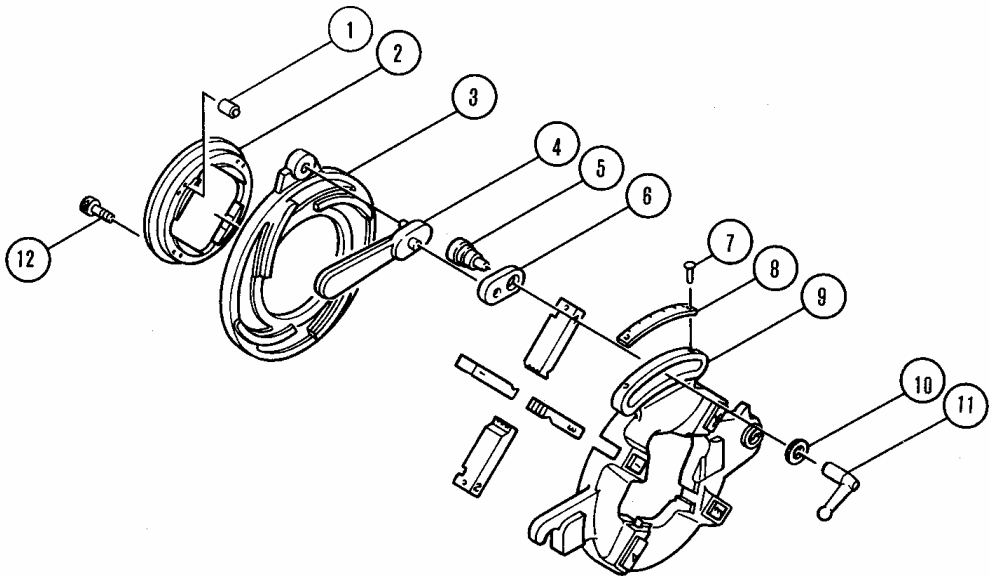


www.cscindustrial.com
 Ph: 1-866-496-7268
 Fax: 1-915-760-4832
 5970 Silver Springs Dr.
 El Paso, TX 79912

Gewindeschneidköpfe – Die Heads

Stand / dated: 05/04

Standard-Schneidkopf Metrisches Gewinde / Standard Die-Head Metrical Thread



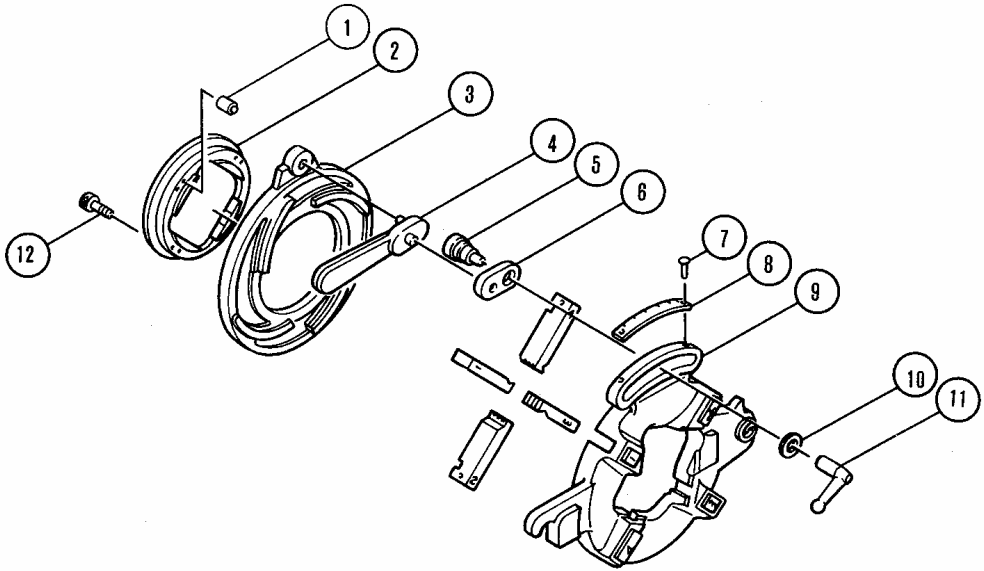
www.cscindustrial.com
 Ph: 1-866-496-7268
 Fax: 1-915-760-4832
 5970 Silver Springs Dr.
 El Paso, TX 79912

Nr./ No.	Bezeichnung	Description	Menge / QTY	Art.Nr. / No
1	Kugelkappe 27-36 mm	Ball cap 27-36 mm	4	8.3601
1	Kugelkappe 10-24 mm	Ball cap 10-24 mm	4	8.3602
2	Haltering 27-36 mm	Retainer plate 27-36 mm	1	8.3603
2	Haltering 10-24 mm	Retainer plate 10-24 mm	1	8.3606
3	Verstellscheibe 27-36 mm	Scroll plate 27-36 mm	1	8.3611
3	Verstellscheibe 10-24 mm	Scroll plate 10-24 mm	1	8.3614
4	Verstellhebel 27-36 mm	Operating lever 27-36 mm	1	8.3618
4	Verstellhebel 10-24 mm	Operating lever 10-24 mm	1	8.3769
5	Schraube geflacht 27-36 mm	Link pivot screw 27-36 mm	1	8.3615
5	Schraube geflacht 10-24 mm	Link pivot screw 10-24 mm	1	8.3771
6	Verstellsegment 27-36 mm	Link 27-36 mm	1	8.3616
6	Verstellsegment 10-24 mm	Link 10-24 mm	1	8.3772
7	Niete für Skala	Plate tack	2	8.3622
8	Skala 10-24 mm	Scale plate 10-24 mm	1	8.5465
9	Grundkörper Standard 27-36 mm	Die-head body standard 27-36 mm	1	8.3773
9	Grundkörper Standard 10-24 mm	Die-head body standard 10-24 mm	1	8.3776
10	Scheibe 27-36 mm	Washer 27-36 mm	1	8.3779
10	Scheibe 10-24 mm	Washer 10-24 mm	1	8.3619
11	Feststellhebel 27-36 mm	Scroll plate locking lever 27-36 mm	1	8.3617
11	Feststellhebel 10-24 mm	Scroll plate locking lever 10-24 mm	1	8.3780
12	Zylinderschraube M6 x 20 DIN 912 27-36 mm	Cylindrical screw M6 x 20 DIN 912 27-36 mm	4	8.3782
12	Zylinderschraube M5 x 20 DIN 912 110-24 mm	Cylindrical screw M5 x 20 DIN 912 110-24 mm	4	8.3783

Gewindeschneidköpfe – Die Heads

Stand / dated: 05/04

Standard-Schneidkopf BSW / Standard Die-Head BSW



www.cscindustrial.com
 Ph: 1-866-496-7268
 Fax: 1-915-760-4832
 5970 Silver Springs Dr.
 El Paso, TX 79912

Nr./ No.	Bezeichnung	Description	Menge / QTY	Art.Nr. / No
1	Kugelkappe 1 1/8"-2"	Ball cap 1 1/8"-2"	4	8.3601
1	Kugelkappe 3/8"-1"	Ball cap 3/8"-1"	4	8.3602
2	Haltering 1 1/8"-2"	Retainer plate 1 1/8"-2"	1	8.3603
2	Haltering 3/8"-1"	Retainer plate 3/8"-1"	1	8.3606
3	Verstellscheibe 1 1/8"-2"	Scroll plate 1 1/8"-2"	1	8.3611
3	Verstellscheibe 3/8"-1"	Scroll plate 3/8"-1"	1	8.3614
4	Verstellhebel 1 1/8"-2"	Operating lever 1 1/8"-2"	1	8.3618
4	Verstellhebel 3/8"-1"	Operating lever 3/8"-1"	1	8.3769
5	Schraube geflacht 11/8"-2"	Link pivot screw 1 1/8"-2"	1	8.3615
5	Schraube geflacht 3/8"-1"	Link pivot screw 3/8"-1"	1	8.3771
6	Verstellsegment 1 1/8"-2"	Link 1 1/8"-2"	1	8.3616
6	Verstellsegment 3/8"-1"	Link 3/8"-1"	1	8.3772
7	Niete für Skala	Plate tack 2	2	8.3622
8	Skala 3/8"-1"	Scale plate 3/8"-1"	1	8.3768
8	Skala 1 1/8"-2"	Scale plate 1 1/8"-2"	1	8.5465
9	Grundkörper Standard 1 1/8"-2"	Die-head body standard 1 1/8"-2"	1	8.3773
9	Grundkörper Standard 3/8"-1"	Die-head body standard 3/8"-1"	1	8.3776
10	Scheibe für 1 1/8"-2"	Washer 1 1/8"-2"	1	8.3779
10	Scheibe für 3/8"-1"	Washer 3/8"-1"	1	8.3619
11	Feststellhebel 1 1/8"-2"	Scroll plate locking lever 1 1/8"-2"	1	8.3617
11	Feststellhebel 3/8"-1"	Scroll plate locking lever 3/8"-1"	1	8.3780
12	Zylinderschraube M6 x 20 DIN 912 für 1 1/8"-2"	Cylindrical screw M6 x 20 DIN 912 for 1 1/8"-2"	4	8.3782
12	Zylinderschraube M5 x 20 DIN 912 für 3/8"-1"	Cylindrical screw M5 x 20 DIN 912 for 3/8"-1"	4	8.3783