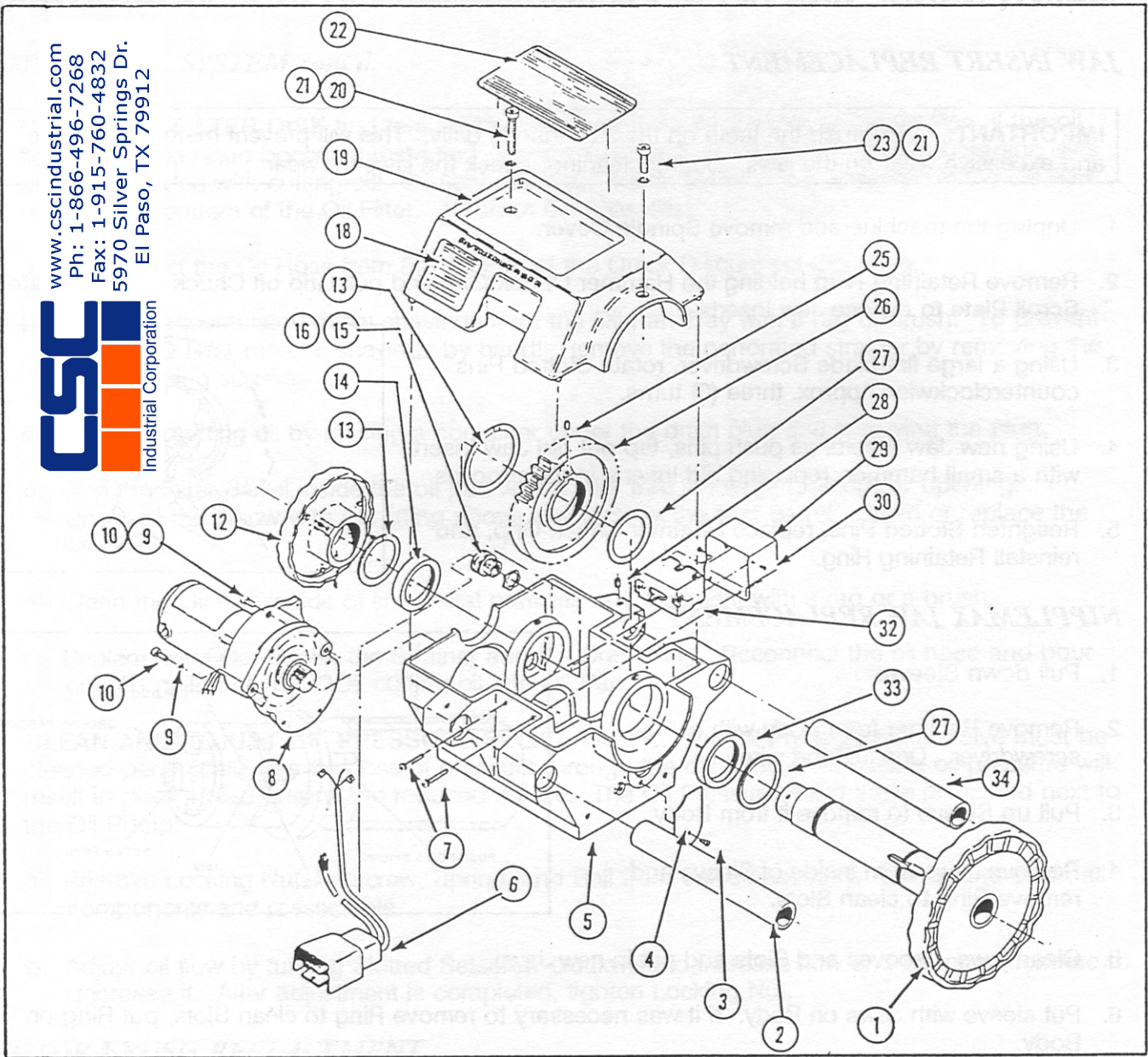


SM-300 MAIN ASSEMBLY

www.cscindustrial.com
 Ph: 1-866-496-7268
 Fax: 1-915-760-4832
 5970 Silver Springs Dr.
 El Paso, TX 79912



Item	Part No.	Qty	Description	Item	Part No.	Qty	Description
1.	22300	1	Spindle & Front Chuck Assy.	18.	22600	1	Label,Warning,English
2.	22008F	1	Bar,Carriage Support,Front	19.	22102	1	Cover,Spindle
3.	G-103-S	1	Screw, 1/4-20x1/2	20.	F-111	1	Screw,1/4-20x2
4.	22084	1	Cover Plate	21.	C-109-M	2	Lockwasher,1/4
5.	22101	1	Main Housing	22.	22103	1	Mat,Rubber
6.	13840	1	Foot Switch Assy.115V.	23.	F-106	1	Screw,1/4-20x7/8
7.	13839	1	Foot Switch Assy. 230V.	25.	H-252-DS	1	Setscrew,5/16-24x3/8
8.	G-051	2	Screw, #10-24x1/28	26.	22302	1	Gear,Spur,Spindle
9.	22400	1	Gearmotor Assy,115V.	27.	22306	1	Thrust Washer,Spindle
10.	22399	1	Gearmotor Assy,230V.	28.	H-106-D	2	Setscrew,1/4-20x1/2
11.	C-110-M	2	Lockwasher,5/16	29.	22405	1	Enclosure,Oper.Switch
12.	F-206	2	Screw,5/16-18x1	30.	KA-802	2	Screw,#8-32x1/4
13.	22250	1	Chuck Assy,Centering	32.	22401	1	Switch,Operating,Toggle.
14.	YUS-325	1	Ring,Retaining	33.	22431	1	Switch,Operating,Rotary
15.	22304	1	Bearing,Sleeve,Rear	34.	22303	1	Bearing,Sleeve,Front
16.	01376	1	Bushing,StrainRelief		22008R	1	Bar,Carriage Support,Rear
17.	08769	1	Locknut,1/2-14 NPS				