

No. 13800 MINI-COLLINS FINAL ASSEMBLY 115V. 50/60 Cycle Unit (Plunger Drive)

Item	Part No.	Description	Req'd	Item	Part No.	Description	Req'd
1.	12616	Cord Assembly, Electrical	1	13.	12330	Stator, Motor, 115V. 50/60 Cycle	1
2.	13857	Handle, Male Half	1	12331	Stator, Motor, 230V. 50/60 Cycle	1	1
3.	14493	Key, Drive, Removable (not included in this assembly)	1	13947	Stator, Motor, 250V. 50 Cy.	1	1
4.	K-1109	Screw, Handle Attachment, 1/4-20x1" long	4	14.	12558	Screw, Stator Alt.	2
5.	C-109-HC	Washer, Lock, 1/4"	4	15.	CD-107-A	Washer, Lock, #10 C'sunk	2
6.	13107	Rod, Torque	1	16.	10047	Washer, Belleville	2
7.	13105	Bracket, Torque Rod	1	17.	13142	Bearing, Ball, Armature	1
8.	13108	Cap, Elect. Contact Brush	2	18.	12607	Armature Assembly, Motor, 115V. 50/60 Cycle (includes Fan)	1
9.	12636	Brush, Elect. Contact, 115V. Motor	2	12608	Armature Assembly, Motor, 230V. (includes Fan)	1	1
10.	13110	Brush, Elect. Contact, 230V. & 250V. Motor	2	13946	Armature Assembly, Motor, 250V. 50 Cycle (includes Fan)	1	1
10.	13796	Holder Assembly, Elect. Contact Brush, 115V. (includes Lead Wire No. 13336)	2	19.	13631	Handle, Carrying	1
	13640	Holder Assembly, Elect. Contact Brush, 230V. & 250V. (includes Lead Wire No. 13337)	2	20.	13862	Bearing Set	1
11.	12549	Housing, Motor	1	21.	13141	Bearing, Ball, Armature	1
12.	13522	Motor Unit, 115V. 50/60 Cycle	1	22.	13101	Support, Motor	1
	13520	Motor Unit, 230V. 50/60 Cycle	1	23.	13116	Bearing, Needle, Worm Shaft	2
	13949	Motor Unit, 250V. 50 Cycle	1	24.	13117	Washer, Thrust, Needle Bearing	2

Item	Part No.	Description	Req'd
25.	13120	Worm Shaft	1
26.	G-052	Screw, Carrying Handle Att., #10-24x $\frac{5}{8}$ " long Button Head	4
27.	J-1114	Screw, Gear Housing Attachment, $\frac{1}{4}$ "-20x2" long, Flat Head	2
28.	L-1115	Screw, Gear Housing Attachment, $\frac{1}{4}$ -20x2 $\frac{1}{4}$ " long	2
29.	C-109-MP	Washer, Lock, Gear Housing Att., $\frac{1}{4}$ "	4
30.	K-1108	Screw, Gear Housing Attachment, $\frac{1}{4}$ -20x $\frac{7}{8}$ " long, Filister Head	2
31.	13140	Plug, Pipe, Gear Lube Access, $\frac{1}{8}$ " (see Item "A")	1
33.	13138	Bushing, Shoulder (see item "A")	2
34.	12896	Gear Assembly, Worm Wheel, Plunger Drive	1
35.	12895	Gear, Worm Wheel	1
36.	12897	Plunger, Worm Wheel	2
37.	12899	Spring, Compression, Worm Wheel Plunger	2
38.	O-100	Pin, Dowel, Plunger Retaining, $\frac{1}{8}$ x $\frac{1}{4}$ " long	2
39.	13114	Seal, O-Ring, Worm Wheel	2
40.	13453	Setscrew, Sleeve Retaining	2
41.	12898	Sleeve, Worm Wheel	2
42.	K-910	Screw, Gear Housing, #10-24x $\frac{7}{8}$ " long, Filister Head (see Item "A")	7
43.	CB-107	Washer, Tooth Lock, Gear Housing #10 (see Item "A")	7

**No. 13801 Mini-Collins Final Assembly —
230V. 50/60 Cycle Unit (Plunger Drive)**

Same as #13800 above except item 12, #13522 replaced by #13520.

**No. 13950 Mini-Collins Final Assembly —
250V. 50 Cycle Unit (Plunger Drive)**

Same as #13800 above except item 12, #13522 replaced by #13949.

Item	Part No.	Description	Req'd
44.	K-909	Screw, Handle Att., #10-24x $\frac{3}{4}$ " long, Filister Head	2
45.	CB-107	Washer, Tooth Lock, Handle Att., No. 10	2
46.	13858	Handle, Female Half	1
47.	K-1108	Screw, Handle Att., $\frac{1}{4}$ -20x $\frac{7}{8}$ " long, Filister Head	3
48.	C-109-HC	Washer, Lock, Handle Att., $\frac{1}{4}$ " Hi-Collar	3
49.	12514	Switch, On-Off (Normally Off)	1
50.	12515	Screw, Switch Att., 4mmx15mm long, fil. hd.	3
51.	12516	Switch, Rocker, FWD-REV.	1
52.	13118	Race, Needle Bearing, Inner	2
53.	13115	Support, Needle Bearing	1
54.	12339	Retainer, On-Off Switch, Phenolic	1
55.	12509	Screw, Switch Retainer, 4mmx8mm Long	2
56.	12438	Setscrew, Brush Holder	2
57.	13119	Worm Shaft Assembly	1
58.	13137-1	Housing Half, Drive Gear (not sold separately, see item "A")	1
59.	13137-2	Housing Half, Drive Gear (not sold separately, see item "A")	1
60.	13155	Cap, Torque Rod	1
61.	13641	Label, Identification	1
62.	12337	Jumper Wire, Switch	3
63.	14492	Gear Assembly, Worm Wheel, Removable Square Drive (not included in this assembly)	1
A	13137	Housing Assembly, Drive Gear	1

**No. 13827 Mini-Collins Final Assembly —
115V. 50/60 Cycle Unit (Square Drive)**

Same as #13800 above except item 34, #12896 replaced by item 63, #14492.

**No. 13828 Mini-Collins Final Assembly —
230V. 50/60 Cycle Unit (Square Drive)**

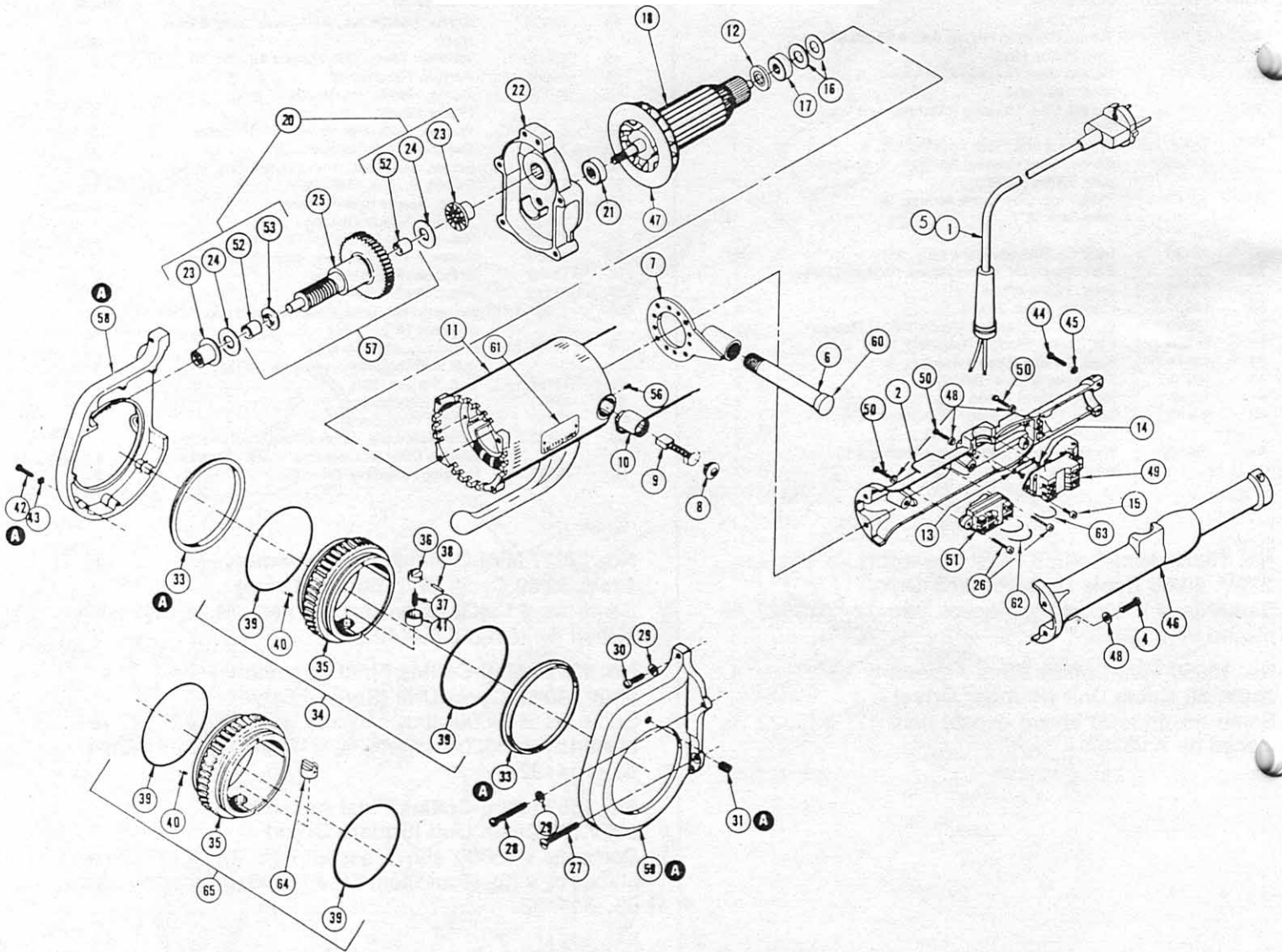
Same as #13800 above except item 12, #13522 replaced by #13520 and item 34, #12896 replaced by item 63, #14492.

**No. 13829 Mini-Collins Final Assembly —
250V. 50 Cycle Unit (Square Drive)**

Same as #13800 above except item 12, #13522 replaced by #13949 and item 34, #12896 replaced by item 63, #14492.



www.cscindustrial.com
Ph: 1-866-496-7268
Fax: 1-915-760-4832
5970 Silver Springs Dr.
El Paso, TX 79912



No. 14400 MINI-COLLINS FINAL ASSEMBLY

Double Insulated, 220V., Standard Unit (Plunger Drive)

Item	Part No.	Description	Req'd	Item	Part No.	Description	Req'd
1.	14404	Cord Assembly, Electrical, 2-Wire (includes Item No. 5)	1	21.	13141	Bearing, Ball, Armature, Front	1
2.	14405	Handle, Male Half (See No. 14449)	1	22.	14446	Support, Motor	1
4.	14407	Screw, Handle Attachment, 6x25 RPJX	4	23.	13116	Bearing, Needle, Worm Shaft (Front and Rear)	2
5.	14408	Collar, Electrical Cord (included in Item No. 1)	1	24.	13117	Washer, Thrust	2
6.	14409	Rod, Torque	1	25.	13120	Worm Shaft	1
7.	14410	Bracket, Torque Rod	1	26.	14447	Screw, Switch Attachment (Rocker), #7x $\frac{3}{8}$ " long, Sht. Mtl., Pan Hd., Phil.	2
8.	14411	Cap., Electrical, Contact Brush	2	27.	14420	Screw, Gear Housing Attachment, 6x50 UHJX	2
9.	14423	Brush, Electrical Contact	2	28.	14421	Screw, Gear Housing Attachment, 6x50 RPJX	2
10.	14413	Holder Assembly, Brush, Electrical Contact, 220V.	2	29.	C-109	Washer, Lock, No. 10	4
11.	14414	Housing and Stator Assembly, Motor	1	30.	K-1108	Screw, Gear Housing Attachment, $\frac{1}{4}$ -20x $\frac{7}{8}$ " long, Mach., Fil. Hd., Sit.	2
12.	14406	Insulator, Creeping Current	1	31.	13140	Plug, Pipe, Gear Lube Access, $\frac{1}{8}$ " (See item "A")	1
13.	14415	Clamp Electrical Cord (included with Item No. 2)	1	33.	13138	Bushing, Shoulder (See Item "A")	2
14.	14416	Screw, Cord Assembly Mounting, #6x $\frac{3}{8}$ " long, Sheet Metal, Pan Hd. Phil.	2	34.	12896	Gear Assembly, Worm Wheel	1
15.	14448	Screw, Swivel Attachment, (On-Off), #7x $\frac{3}{8}$ " long, Sheet Metal, Pan Hd. Phil.	1	35.	12895	Gear, Worm Wheel	1
16.	10047	Washer, Belleville	2	36.	12897	Plunger, Worm Wheel Gear	2
17.	13142	Bearing, Ball, Armature, Rear	1	37.	12899	Spring, Compression, Plunger	2
18.	14417	Armature Assembly, 220V. Motor, (includes Fan Item No. 47)	1	38.	O-100	Pin, Dowel, Plunger, $\frac{1}{8}$ x $\frac{1}{4}$ " long	2
20.	13862	Bearing Set (includes Items No. 23, 24, 52, 53)	1	39.	13114	Seal, O-Ring, Worm Wheel Gear	2
				40.	13453	Setscrew, Sleeve Retaining (Special)	2

Item	Part No.	Description	Req'd
41.	12898	Sleeve, Plunger	2
42.	K-910	Screw, Gear Housing, #10-24x7/8" long, Mach., Fil. Hd., Slit. (see Item "A")	7
43.	CB-107	Washer, Lock, Int. Tooth, #10 (see Item "A")	7
44.	14435	Screw, Handle, 5x16 RPJX	2
45.	14436	Washer, Lock, Int. Tooth, M5	2
46.	14437	Handle, Female Half (See No. 14449)	1
47.	14422	Fan, Armature (included in Item No. 18)	1
48.	13825	Washer, Lock, M6	7
49.	14440	Switch, "On-Off" (Normally Off)	1
50.	14441	Screw, Handle, 6x20 RPJX	3
51.	14442	Switch, Rocker, (FWD-REV)	1
52.	13118	Race, Needle Bearing, Inner	2
53.	13115	Support, Needle Bearing	1
56.	14443	Setscrew, Brush Holder	2
57.	13119	Worm Shaft Assembly (includes Items 25, 52, 53)	1

Item	Part No.	Description	Req'd
58.	13137-1	Housing Half (not sold separately, see Item "A")	1
59.	13137-2	Housing Half (not sold separately, see Item "A")	1
60.	13155	Cap, Torque Rod	1
61.	14444	Plate, Identification	1
62.	14720	Jumper Wire, Switch	2
63.	14721	Jumper Wire, Switch	1
A	13137	Housing Assembly	1
	13102	Lubricant, 8-oz. Tube	1
	14449	Handle Assembly (includes items 2, 46, 13)	1
Not included in this assembly:			
64.	14493	Key, Drive, Removable	1
65.	14492	Gear Assembly, Worm Wheel Removable Square Drive	1
	14445	Hardware Kit, Screw and Washer (includes all attaching hardware)	1

**No. 14402 Mini-Collins Final Assembly —
Double Insulated 220V. VDE Unit (Plunger Drive)**
Same as #14400 above except add #14311 capacitor,
#14312 capacitor.

**No. 14403 Mini-Collins Final Assembly —
Double Insulated, 220V. CH Unit (Plunger Drive)**
Same as #14400 except add #14314 capacitor, #14315
capacitor, #14316 filter, #14317 inductor.

**No. 14432 Mini-Collins Final Assembly —
Double Insulated 220V. Standard Unit
(Square Drive)**
Same as #14400 above except Item 34, #12896 re-
placed by item 65, #14492.

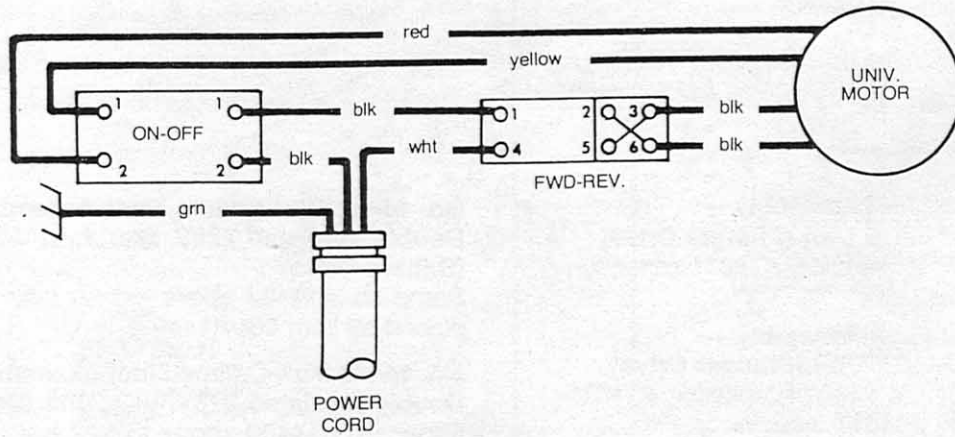
**No. 14433 Mini-Collins Final Assembly —
Double Insulated 220V. VDE Unit (Square Drive)**
Same as #14400 above except item 34, #12896 re-
placed by item 65, #14492 and add #14311 capacitor,
#14312 capacitor.

**No. 14434 Mini-Collins Final Assembly —
Double Insulated 220V. CH Unit (Square Drive)**
Same as #14400 above except item 34, #12896 re-
placed by item 54, #14492 and add #14314 capacitor,
#14315 capacitor, #14316 filter, #14317 inductor.

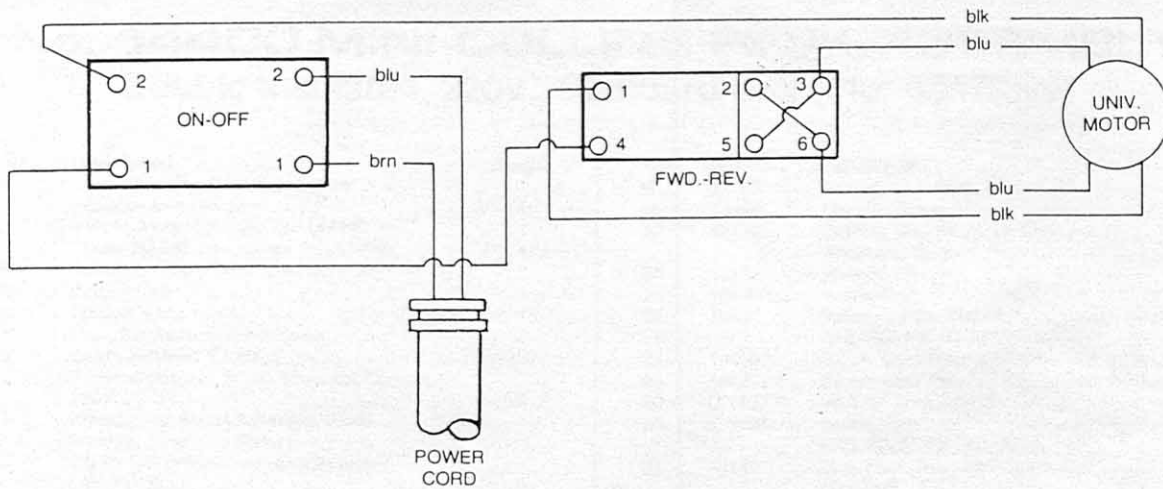


www.cscindustrial.com
Ph: 1-866-496-7268
Fax: 1-915-760-4832
5970 Silver Springs Dr.
El Paso, TX 79912

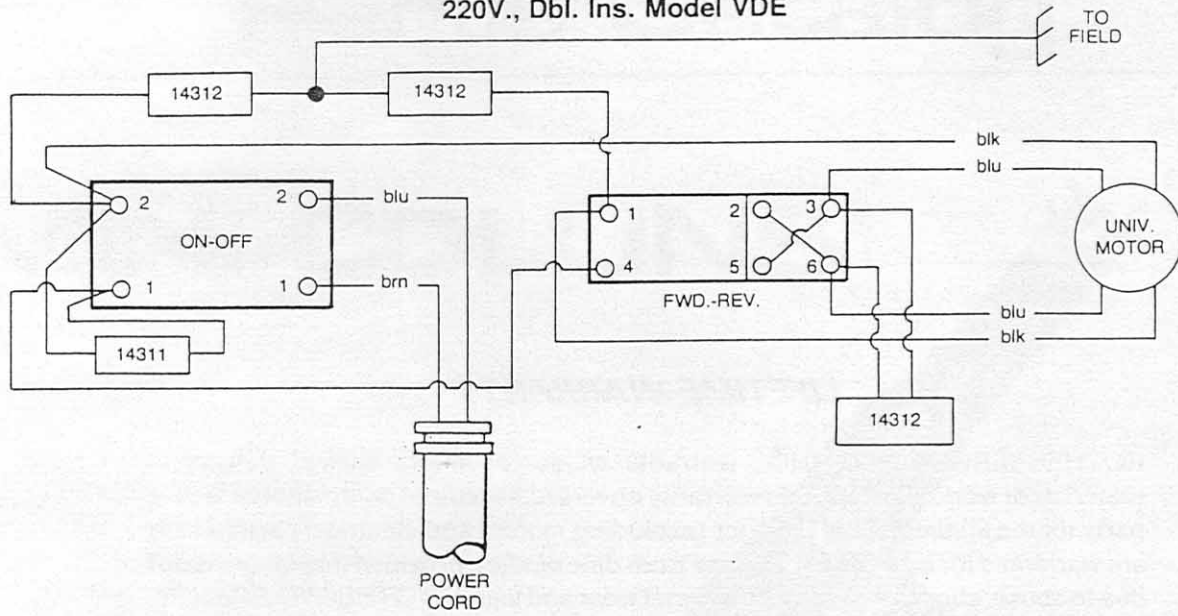
WIRING DIAGRAM
115V., 230V., 250V. Standard Unit



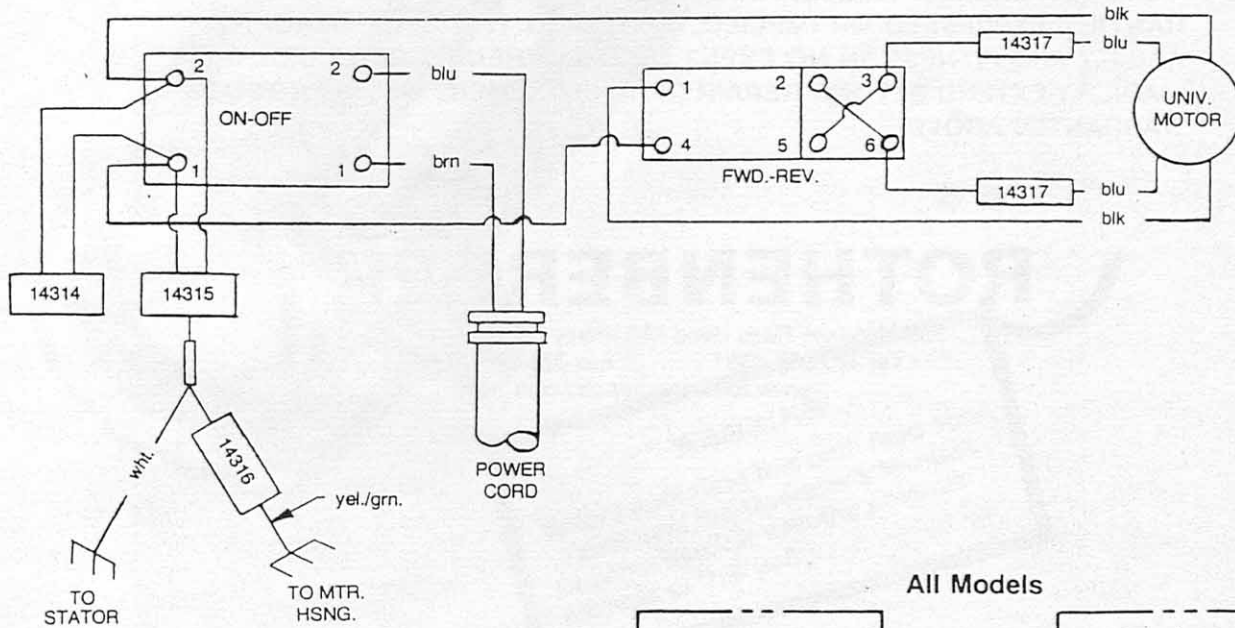
WIRING DIAGRAM
220V., Dbl. Ins. Standard Unit



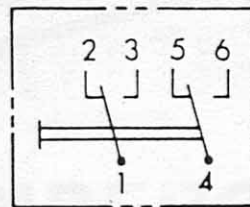
WIRING DIAGRAM
220V., Dbl. Ins. Model VDE



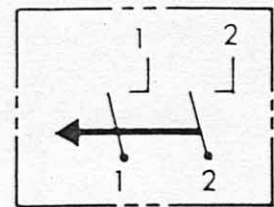
WIRING DIAGRAM
220V., Dbl. Ins. Model CH



All Models



FWD.-REV SWITCH



ON-OFF SWITCH