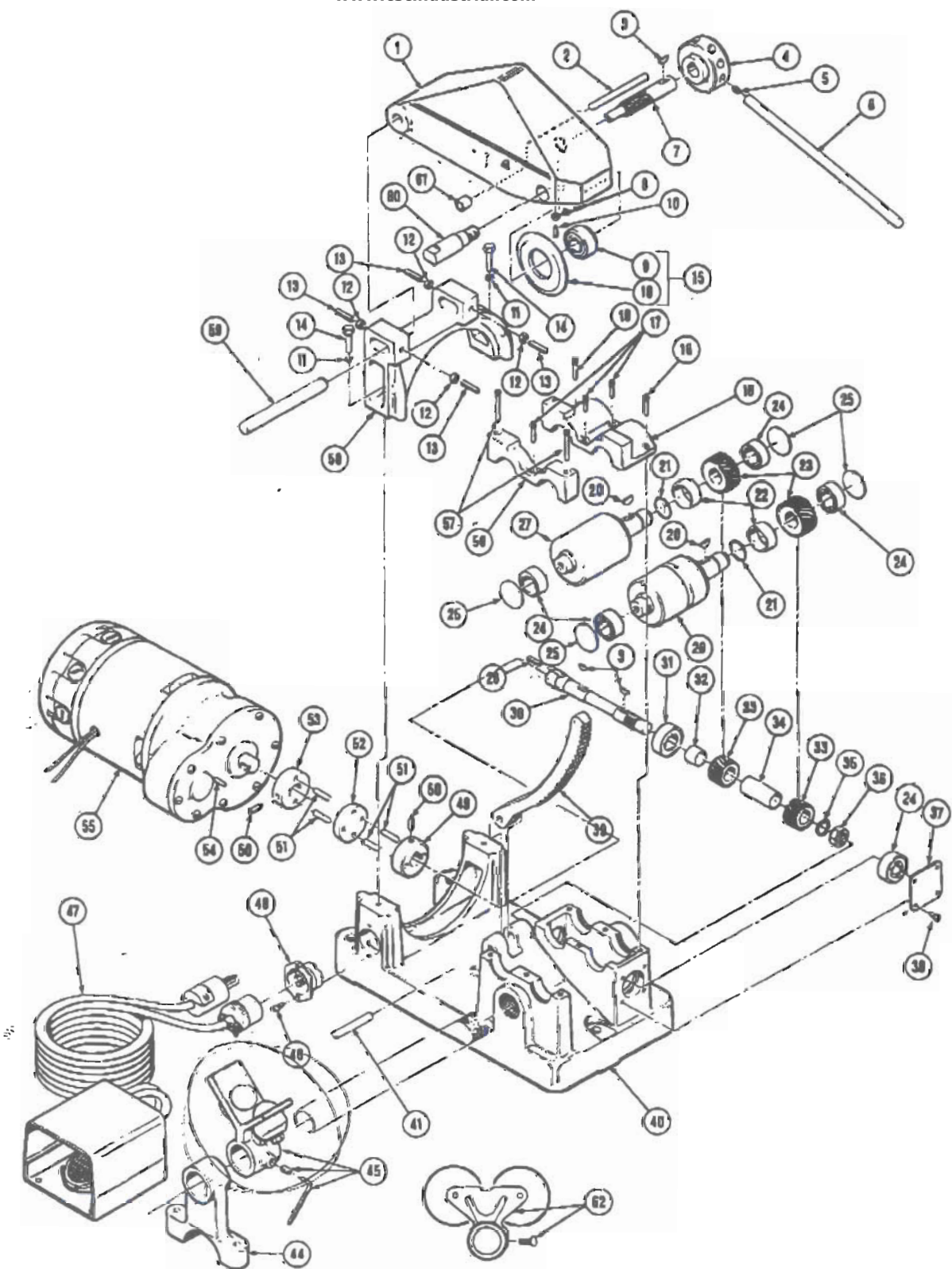


E-Z Cutter Main Assembly

CSC Industrial

Ph: 915-613-1145 Fax: 915-760-4832
www.cscindustrial.com



PARTS LIST

Ph: 915-613-1145 Fax: 915-760-4832

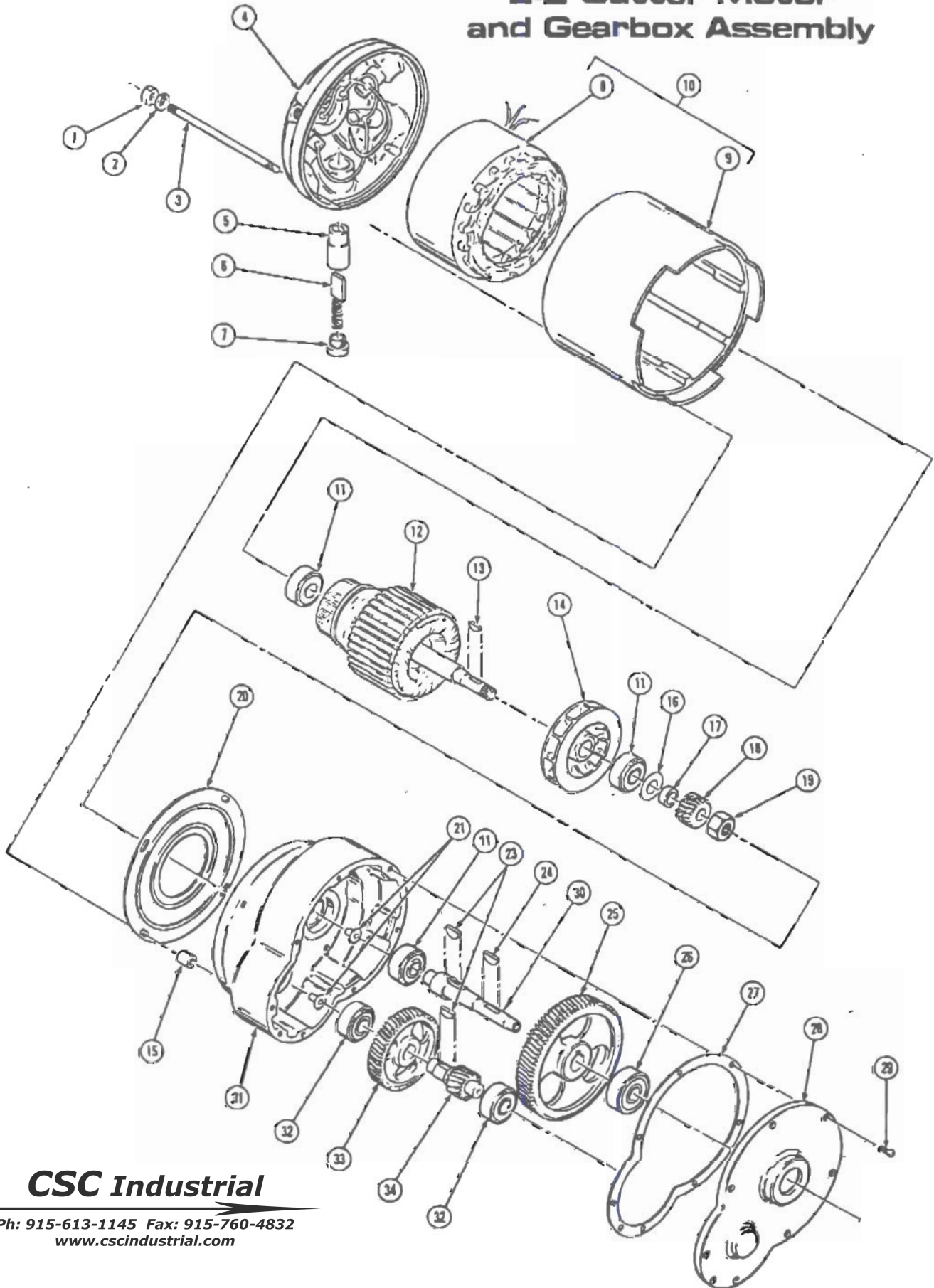
www.cscindustrial.com

E-Z-Cutter Main Assembly

115V. — Part #3000
230V. — Part #3000-1

Item	Part No.	Description	Req'd	Item	Part No.	Description	Req'd
1.	I 432 I	Head, E-Z-Cutter	1	38.	N-503	Screw, Bearing Cover, #10-24 x 1/2" Self-Tap, Mach.	4
2.	3220	Pin, Roller Guide	1	39.	3442	Gear Rack	1
3.	W-806	Key, Woodruff	3	40.	I 3069	Base Assembly w/Bearing Caps	1
4.	3218	Hub, Feed Wheel	1	41.	12897	Pin, Pivot, Rack Gear	1
5.	H-201	Set Screw, Wheel Hub, 5/16"-18 x 1/4"	1	44.	3405	Support, Stationary	2
6.	3218	Handle, Feed Wheel	1	45.	* 13208	Support Assembly, Ball Bearing Type Each Assembly Includes	2
7.	3443	Gearshaft, Spur, 8T	1	13205	Body, Pipe Support, Ball Bearing Type (1)		
8.	B-102	Nut, Gearshaft Locking, 5/16"-18	1	13207	Caster, Ball Bearing (2)		
9.	3227	Bearing, Cutting Wheel — See Item #15		B-203	Nut, Jam, 3/8"-16 Hex x 2		
10.	H-207	Set Screw, Gearshaft Locking, 5/16"-18 x 3/4"	1	CA-111	Washer, Lock, 3/4" Int-Ext Tooth (2)		
11.	C-111	Washer, Lock, 3/4"	2	H-307	Set Screw, 3/8"-16 x 3/4" Cup Point (1)		
12.	B-202	Nut, Jam, 3/8"-16 Hex	4	1988-3	Wrench, Allen, Set Screw, 3/16" (1)		
13.	H-312	Set Screw, Head Aligning, 3/8"-16 x 1 1/4"	4	13896	Lubricating Oil, Roll-R-Lube, 2 oz. (Not Shown) (1)		
14.	A-306	Screw, Yoke Att., 3/8"-16 x 1 1/4" Hd. Cap	2	48.	NF-305	Screw, #6-32 x 1/2" Pan Hd. Self-Tap	2
15.	3221	Cutting Wheel Assembly, Pipe (Std. Equipment)	1	47.	14330	Foot Switch Assembly, Heavy Duty, 115V. or 230V.	1
	3222	Cutting Wheel Assembly, Tubing (Optional Equipment)		48.	14331	Foot Switch Assembly, Heavy Duty, 230V.	
	3223	Cutting Wheel Assembly, Soil Pipe (Optional Equipment)		49.	13732	Connector, Receptacle, Elect. 115V. or 230V.	1
	12597	Cutting Wheel Assembly, Plastic (Optional Equipment)		50.	13733	Connector, Receptacle, Elect. 230V.	
16.	F-206	Screw, Bearing Cap, 5/16"-18 x 1" Soc. Hd. Cap	2	49.	3046	Coupling, Gear Shaft	1
17.	F-204	Screw, Bearing Cap, 5/16"-18 x 3/4" Soc. Hd. Cap	3	50.	H-205	Set Screw, 5/16"-18 x 1/2" Hex Soc	2
18.	—	Cutting Wheel, Various Types, See Item #15 Cutting Wheel Assemblies		51.	O-405	Pin, Coupling, Dowel, 5/16" x 1"	4
19.	12687	Cap, Bearing, R.H.	1	52.	3048	Insert, Coupling	1
20.	W-808	Key, Woodruff	2	53.	3047	Coupling, Motor Shaft	1
21.	13072	Seal, O-Ring	2	54.	3043-4	Key, Square, Coupling, 1/4" x 1/2"	1
22.	13054	Bushing, Seal	2	55.	3300	Motor and Gear Case Assembly 115V. or 230V.	1
23.	3022	Gear, Helical, 20T	2	56.	12688	Cap, Bearing, L.H.	1
24.	1018-1	Bearing, 203 SZZ	5	57.	F-207	Screw, Bearing Cap, 5/16"-18 x 1 1/4" Hex. Soc.	2
25.	3025	Shield, Bearing	4	58.	12686	Yoke, Motor	1
26.	12689	Roller, Drive, Grooved (Complete Grooved Roller Assembly #13070)	1	59.	3211	Bar, Hinge, Head Assembly	1
27.	12690	Roller, Drive, Smooth (Complete Smooth Roller Assembly #13071)	1	60.	3228	Screw, Shoulder, Cutting Wheel	1
				61.	3441	Roller, Rack Guide	1
				62.	3400	Support Assembly, Roller Type, Light Weight Each Assembly Includes:	
29.	3043-5	Key, Square, 1/2" x 3/4"	1	3401	Body, Pipe Support, Roller Type (1)		
30.	3031	Shaft, Roller Drive	1	3404	Thumbscrew, 3/8"-16 x 1 (1)		
31.	1382-1	Bearing, 204 SZZ	1	1124	Screw, Pivot, Roller and Cutter (2)		
32.	3035	Spacer, Bearing	1	B-253	Nut, Jam, 3/8"-24 Hex (2)		
33.	3032	Gear, Helical, 15T	2	D-104	Washer, Flat, 3/4" (2)		
34.	3034	Spacer, Gear	1	C-111	Washer, Lock, 3/4" (2)		
35.	CC-117	Washer, Starlock, 3/4" Exd.	1	3402	Roller, Pipe Support, Steel (2)		
36.	B-259	Nut, Jam, Drive Shaft, 3/8"-18 x Hex	1				
37.	3038	Cover, Bearing Shaft	1				

E-Z Cutter Motor and Gearbox Assembly



CSC Industrial

Ph: 915-613-1145 Fax: 915-760-4832
www.cscindustrial.com

PARTS LIST

E-Z-Cutter Motor and Gearbox Assembly

115V. — Part # 3300 230V. — Part # 3300-1

Item	Part No.	Description	Req'd	Item	Part No.	Description	Req'd
1.	B-101	Nut, 1/4"-20 Hex. Hd.	4	14.	1335	Fan, armature	1
2.	CB-202	Washer, lock, 1/4"	4	15.	1325	Retainer, stator baffle, neoprene	4
3.	1361	Tie Rod, motor	4	16.	1332	Spacer, stinger	2
4.	3350	End Bell Assembly (includes brush holders, but brushes and caps not included)	1	17.	1333	Spacer, 20-T helical gear	1
6.	1352	Holder, brush, electrical contact (Included in Item 4, #3350)	6	18.	1336	Gear, helical, armature, 20-T	1
6.	1360-1	Brush, elect. contact (115V. & 230V.)	6	19.	1334	Nut, armature shaft	1
7.	1355	Cap, brush holder	6	20.	1323	Baffle, stator	1
8.	1321	Stator, 115V., single phase, or		21.	1383-1	Plug, gear case, plastic	2
8.	1311	Stator, 230V., single phase	1	23.	W-806	Key, woodruff, 1/2" x 1/4"	2
9.	1322	Housing, stator (115V. & 230V.)	1	24.	2043-4	Key, square 1/4"	1
10.	1320	Stator & Housing Assembly, 115V. single-phase or		25.	1394	Gear, helical, 96-T	1
10.	1315	Stator & Housing Assembly, 230V., single-phase	1	26.	1392-1	Bearing, 204 SZZ	1
11.	1018-1	Bearing, gear case, 203 SZZ	1	27.	1381-1	Gasket, gear case housing	1
12.	1331	Armature, 115V., single phase, or	3	26.	1382	Cover, gear case housing	1
12.	1327	Armature, 230V., single phase	1	29.	K-1106	Screw, cover att., 1/4"-20 x 1/4" fillister head	6
13.	1338	Key, woodruff, 20-T helical gear	1	30.	3384	Shaft, output, gear box	1
				31.	1361	Housing, gear case	1
				32.	1337	Bearing, 201 SFF	2
				33.	1380	Gear, helical, 60-T	1
				34.	1385	Gearshaft, helical, 22-T	1

Wiring Diagram

